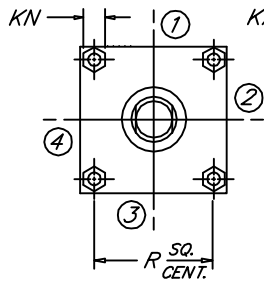
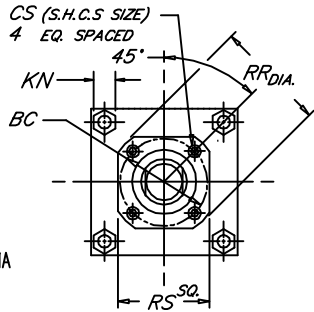
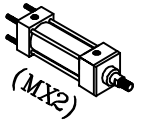


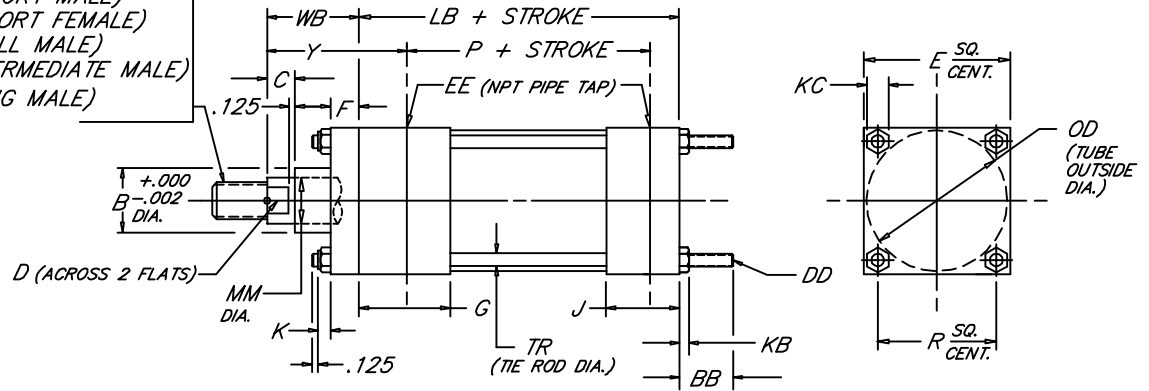
CAP TIE ROD EXTENDED

Peninsular Mounting Style: **MH 11**

Heavy Duty Steel Air Cylinder



KM (SHORT MALE)
 KF (SHORT FEMALE)
 KD (FULL MALE)
 KI (INTERMEDIATE MALE)
 KA (LONG MALE)



1.18

BORE	ROD					ROD THREAD X LENGTH																	NPT											
	MM	KM & KF	KD	KI	KA	B	BB	BC	C	CS	D	DD	E	EE	F	G	J	K	KB	KC	KN	LB	OD	P	R	RR	RS	TR	WB	Y				
1.500	.625	7/16"-20 x .750	5/8"-18 x .750	1/2"-20 x .750	1/2"-20 x 1.125	1.124	1.000	---	.375	---	.500	1/4"-28	2.000	3/8	.375	1.500	1.000	.312	.218	.438	.438	3.625	1.750	2.335	1.428	---	---	.250	1.000	1.875				
	1.000	3/4"-16 x 1.125	1"-14 x 1.125	7/8"-14 x 1.125	7/8"-14 x 1.875	1.499	---	---	.500	---	.875	---	---	---	---	---	---	---	---	---	---	---	---	---	---	---	---	---	---	---	1.375	2.250		
	1.375	1"-14 x 1.625	3/8"-12 x 1.625	1/4"-12 x 1.625	1/4"-12 x 2.500	1.999	---	---	.625	---	1.125	5/16"-24	2.500	3/8	.375	1.500	1.000	.344	.250	.500	.500	3.625	2.250	2.335	1.838	---	---	---	---	---	1.625	2.500		
2.000	.625	7/16"-20 x .750	5/8"-18 x .750	1/2"-20 x .750	1/2"-20 x 1.125	1.124	---	---	.375	---	.500	---	---	---	---	---	---	---	---	---	---	---	---	---	---	---	---	---	---	---	1.000	1.875		
	1.000	3/4"-16 x 1.125	1"-14 x 1.125	7/8"-14 x 1.125	7/8"-14 x 1.875	1.499	1.125	---	.500	---	.875	---	---	---	---	---	---	---	---	---	---	---	---	---	---	---	---	---	---	---	1.375	2.250		
	1.375	1"-14 x 1.625	3/8"-12 x 1.625	1/4"-12 x 1.625	1/4"-12 x 2.500	1.999	---	---	.625	---	1.125	5/16"-24	2.500	3/8	.375	1.500	1.000	.344	.250	.500	.500	3.625	2.250	2.335	1.838	---	---	---	---	---	1.625	2.500		
2.500	.625	7/16"-20 x .750	5/8"-18 x .750	1/2"-20 x .750	1/2"-20 x 1.125	1.124	---	---	.375	---	.500	---	---	---	---	---	---	---	---	---	---	---	---	---	---	---	---	---	---	---	1.000	1.875		
	1.000	3/4"-16 x 1.125	1"-14 x 1.125	7/8"-14 x 1.125	7/8"-14 x 1.875	1.499	---	---	.500	---	.875	---	---	---	---	---	---	---	---	---	---	---	---	---	---	---	---	---	---	---	1.375	2.250		
	1.375	1"-14 x 1.625	3/8"-12 x 1.625	1/4"-12 x 1.625	1/4"-12 x 2.500	1.999	1.125	---	.625	---	1.125	5/16"-24	3.000	3/8	.375	1.500	1.000	.344	.250	.500	.500	3.750	2.750	2.460	2.192	---	---	---	---	---	1.875	2.750		
3.250	1.000	3/4"-16 x 1.125	1"-14 x 1.125	7/8"-14 x 1.125	7/8"-14 x 1.875	1.499	---	---	.500	---	.875	---	---	---	---	---	---	---	---	---	---	---	---	---	---	---	---	---	---	---	1.375	2.375		
	1.375	1"-14 x 1.625	3/8"-12 x 1.625	1/4"-12 x 1.625	1/4"-12 x 2.500	1.999	1.375	---	.625	---	1.125	3/8"-24	3.750	1/2	.625	1.750	1.250	.438	.328	.562	.562	4.250	3.500	2.750	2.758	---	---	---	---	---	1.625	2.625		
	1.750	1 1/4"-12 x 2.000	3/4"-12 x 2.000	1/2"-12 x 2.000	1/2"-12 x 3.000	2.374	---	---	.750	---	1.500	---	---	---	---	---	---	---	---	---	---	---	---	---	---	---	---	---	---	---	1.875	2.875		
4.000	1.000	3/4"-16 x 1.125	1"-14 x 1.125	7/8"-14 x 1.125	7/8"-14 x 1.875	1.499	---	---	.500	---	.875	---	---	---	---	---	---	---	---	---	---	---	---	---	---	---	---	---	---	---	1.375	2.375		
	1.375	1"-14 x 1.625	3/8"-12 x 1.625	1/4"-12 x 1.625	1/4"-12 x 2.500	1.999	1.375	2.562	.625	.250	1.125	3/8"-24	4.500	1/2	.625	1.750	1.250	.438	.328	.562	.562	4.250	4.250	2.750	3.323	---	---	---	---	---	1.625	2.625		
	1.750	1 1/4"-12 x 2.000	3/4"-12 x 2.000	1/2"-12 x 2.000	1/2"-12 x 3.000	2.374	---	---	.750	---	1.500	---	---	---	---	---	---	---	---	---	---	---	---	---	---	---	---	---	---	---	---	1.875	2.875	
5.000	1.000	3/4"-16 x 1.125	1"-14 x 1.125	7/8"-14 x 1.125	7/8"-14 x 1.875	1.499	---	---	.500	---	.875	---	---	---	---	---	---	---	---	---	---	---	---	---	---	---	---	---	---	---	---	1.375	2.375	
	1.375	1"-14 x 1.625	3/8"-12 x 1.625	1/4"-12 x 1.625	1/4"-12 x 2.500	1.999	---	---	.625	---	1.125	---	---	---	---	---	---	---	---	---	---	---	---	---	---	---	---	---	---	---	---	1.625	2.625	
	1.750	1 1/4"-12 x 2.000	3/4"-12 x 2.000	1/2"-12 x 2.000	1/2"-12 x 3.000	2.374	---	---	.750	---	1.500	---	---	---	---	---	---	---	---	---	---	---	---	---	---	---	---	---	---	---	---	1.875	2.875	
6.000	1.000	3/4"-16 x 1.125	1"-14 x 1.125	7/8"-14 x 1.125	7/8"-14 x 1.875	1.499	---	---	.500	---	.875	---	---	---	---	---	---	---	---	---	---	---	---	---	---	---	---	---	---	---	---	---	1.375	2.375
	1.375	1"-14 x 1.625	3/8"-12 x 1.625	1/4"-12 x 1.625	1/4"-12 x 2.500	1.999	1.812	3.812	.875	.312	1.688	1/2"-20	5.500	1/2	.625	1.750	1.250	.594	.438	.750	.750	4.500	5.250	3.000	4.101	---	---	---	---	---	2.000	3.000		
	1.750	1 1/4"-12 x 2.000	3/4"-12 x 2.000	1/2"-12 x 2.000	1/2"-12 x 3.000	2.374	---	---	.750	---	1.500	---	---	---	---	---	---	---	---	---	---	---	---	---	---	---	---	---	---	---	---	---	2.250	3.250
6.000	1.000	3/4"-16 x 1.125	1"-14 x 1.125	7/8"-14 x 1.125	7/8"-14 x 1.875	1.499	---	---	.500	---	.875	---	---	---	---	---	---	---	---	---	---	---	---	---	---	---	---	---	---	---	---	---	---	---
	1.375	1"-14 x 1.625	3/8"-12 x 1.625	1/4"-12 x 1.625	1/4"-12 x 2.500	1.999	---	---	.625	---	1.125	---	---	---	---	---	---	---	---	---	---	---	---	---	---	---	---	---	---	---	---	---	---	
	1.750	1 1/4"-12 x 2.000	3/4"-12 x 2.000	1/2"-12 x 2.000	1/2"-12 x 3.000	2.374	---	---	.750	---	1.500	---	---	---	---	---	---	---	---	---	---	---	---	---	---	---	---	---	---	---	---	---	---	---

NEVA DESIGN

FILE: MH11S2.dwg REV: 09-25-06