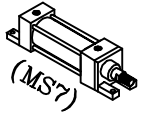


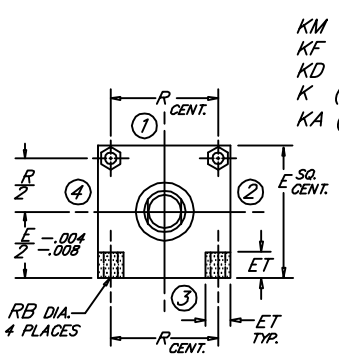
END LUGS

Medium Duty Aluminum Air Cylinder

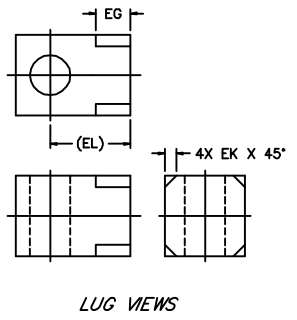
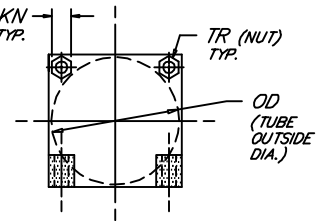
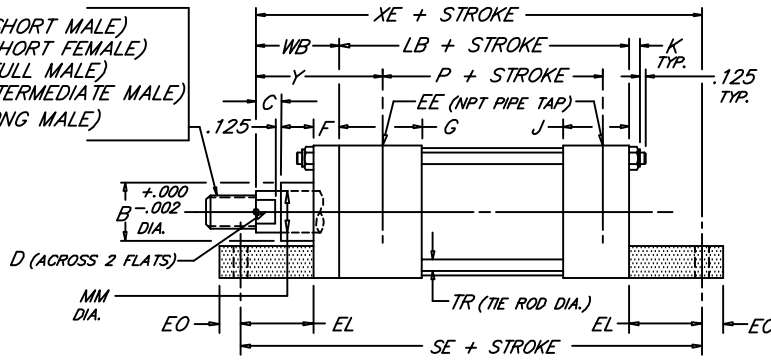
Peninsular Mounting Style: **LM 14**



NFPA
NAAMS
ISO: DIN-VDMA



- KM (SHORT MALE)
- KF (SHORT FEMALE)
- KD (FULL MALE)
- K (INTERMEDIATE MALE)
- KA (LONG MALE)



2.61

BORE	ROD					ROD THREAD X LENGTH															NPT										
	MM	KM & KF	KD	KI	KA	B	C	D	E	EE	EG	EK	EL	EO	ET	F	G	J	K	KN	LB	OD	P	R	RB	SE	TR	WB	XE	Y	
1.500	.625	7/16"-20 x .750	5/8"-18 x .750	1/2"-20 x .750	1/2"-20 x 1.125	1.124	.375	.500	2.000	3/8	---	---	.750	.250	.562	.375	1.500	1.000	.312	.438	3.625	1.750	2.335	1.428	.312	5.500	.250	1.000	5.375	1.875	
	1.000	3/4"-16 x 1.125	1"-14 x 1.125	7/8"-14 x 1.125	7/8"-14 x 1.875	1.499	.500	.875	---	---	.620	.190	---	---	---	---	---	---	---	---	---	---	---	---	---	---	---	1.375	5.750	2.250	
2.000	.625	7/16"-20 x .750	5/8"-18 x .750	1/2"-20 x .750	1/2"-20 x 1.125	1.124	.375	.500	---	---	---	---	---	---	---	---	---	---	---	---	---	---	---	---	---	---	---	1.000	5.562	1.875	
	1.000	3/4"-16 x 1.125	1"-14 x 1.125	7/8"-14 x 1.125	7/8"-14 x 1.875	1.499	.500	.875	2.500	3/8	---	---	.9375	.312	.625	.375	1.500	1.000	.344	.500	3.625	2.250	2.335	1.838	.375	5.875	.312	1.375	5.938	2.250	
2.500	.625	7/16"-20 x .750	5/8"-18 x .750	1/2"-20 x .750	1/2"-20 x 1.125	1.124	.375	.500	---	---	---	---	---	---	---	---	---	---	---	---	---	---	---	---	---	---	---	1.000	5.812	1.875	
	1.000	3/4"-16 x 1.125	1"-14 x 1.125	7/8"-14 x 1.125	7/8"-14 x 1.875	1.499	.500	.875	---	---	---	---	---	---	---	---	---	---	---	---	---	---	---	---	---	---	---	1.375	6.188	2.250	
3.250	1.375	1"-14 x 1.625	3/8"-12 x 1.625	1 1/4"-12 x 1.625	1 1/4"-12 x 2.500	1.999	.625	1.125	3.000	3/8	---	---	.750	.190	---	---	---	---	---	---	---	---	---	---	---	---	1.625	6.188	2.500		
	1.750	1 1/4"-12 x 2.000	1"-14 x 1.625	3/8"-12 x 1.625	1 1/4"-12 x 2.500	1.999	.625	1.125	---	---	---	---	---	---	---	---	---	---	---	---	---	---	---	---	---	---	---	1.375	6.500	2.375	
4.000	1.375	1"-14 x 1.625	3/8"-12 x 1.625	1 1/4"-12 x 1.625	1 1/4"-12 x 2.500	1.999	.625	1.125	---	---	---	---	---	---	---	---	---	---	---	---	---	---	---	---	---	---	---	1.625	6.750	2.625	
	1.750	1 1/4"-12 x 2.000	1"-14 x 1.625	3/8"-12 x 1.625	1 1/4"-12 x 2.500	1.999	.625	1.125	3.750	1/2	---	---	.875	.375	1.000	.625	1.750	1.250	.438	.562	4.250	3.500	2.750	2.758	.438	6.625	.375	1.875	7.000	2.875	
5.000	2.000	1 1/2"-12 x 2.250	2"-12 x 2.250	3/4"-12 x 2.250	1 1/2"-12 x 3.000	2.624	.875	1.688	---	---	---	---	---	---	---	---	---	---	---	---	---	---	---	---	---	---	---	2.000	7.125	3.000	
	2.500	1 7/8"-12 x 3.000	1 1/2"-12 x 3.000	1 1/4"-12 x 3.000	2 1/4"-12 x 4.500	3.124	1.000	2.062	---	---	---	---	.750	.090	---	---	---	---	---	---	---	---	---	---	---	---	---	2.000	7.500	3.000	
6.000	1.000	3/4"-16 x 1.125	1"-14 x 1.125	7/8"-14 x 1.125	7/8"-14 x 1.875	1.499	.500	.875	---	---	---	---	---	---	---	---	---	---	---	---	---	---	---	---	---	---	---	---	1.375	6.938	2.375
	1.375	1"-14 x 1.625	3/8"-12 x 1.625	1 1/4"-12 x 1.625	1 1/4"-12 x 2.500	1.999	.625	1.125	---	---	---	---	---	---	---	---	---	---	---	---	---	---	---	---	---	---	---	---	1.625	7.188	2.625
6.000	1.750	1 1/4"-12 x 2.000	1"-14 x 1.625	3/8"-12 x 1.625	1 1/4"-12 x 2.500	1.999	.625	1.125	5.500	1/2	---	---	1.0625	.500	1.375	.625	1.750	1.250	.594	.750	4.500	5.250	3.000	4.101	.562	7.250	.500	2.000	7.562	3.000	
	2.000	1 1/2"-12 x 2.250	2"-12 x 2.250	3/4"-12 x 2.250	1 1/2"-12 x 3.000	2.624	.875	1.688	---	---	---	---	---	---	---	---	---	---	---	---	---	---	---	---	---	---	---	---	1.875	7.438	2.875
6.000	2.500	1 7/8"-12 x 3.000	1 1/2"-12 x 3.000	1 1/4"-12 x 3.000	2 1/4"-12 x 4.500	3.124	1.000	2.062	---	---	---	---	---	---	---	---	---	---	---	---	---	---	---	---	---	---	---	2.250	7.812	3.250	
	3.000	2 1/4"-12 x 3.500	3"-12 x 3.500	3/4"-12 x 3.500	2 3/4"-12 x 5.500	3.749	1.000	2.625	---	---	---	---	---	---	---	---	---	---	---	---	---	---	---	---	---	---	---	2.250	8.250	3.375	
6.000	3.500	2 1/2"-12 x 3.500	3 1/2"-12 x 3.500	3 1/4"-12 x 3.500	3 1/4"-12 x 6.500	4.249	1.000	3.000	---	---	---	---	---	---	---	---	---	---	---	---	---	---	---	---	---	---	---	2.250	8.250	3.375	
	4.000	3"-12 x 4.000	4"-12 x 4.000	3 3/4"-12 x 4.000	3 3/4"-12 x 7.500	4.749	1.000	3.375	---	---	---	---	.620	.120	---	---	---	---	---	---	---	---	---	---	---	---	---	2.250	8.250	3.375	

NEMA DESIGN

FILE: LM14S2.dwg REV: 09-25-06