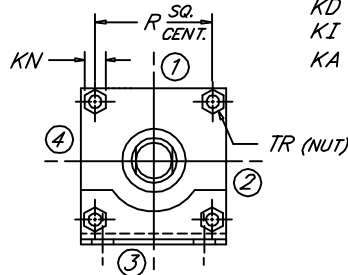
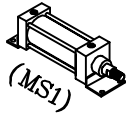


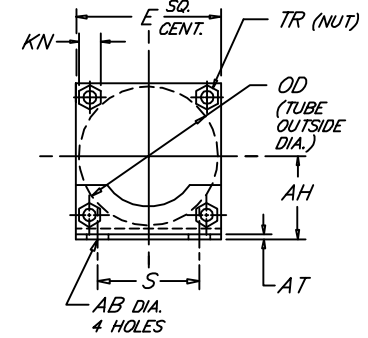
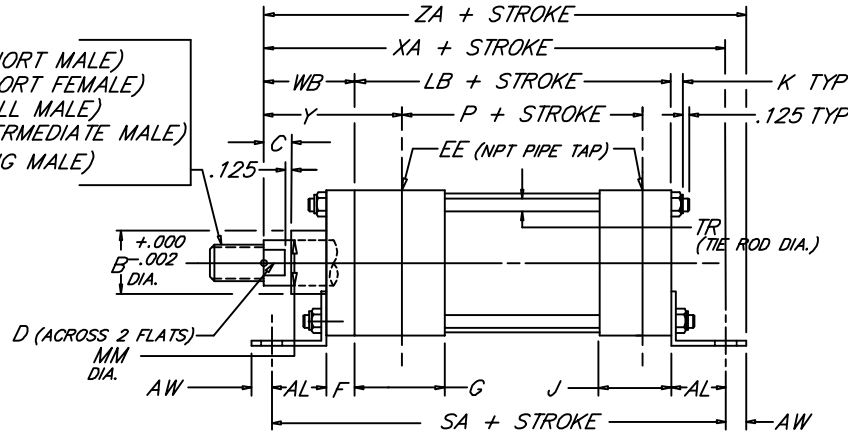
END ANGLES

Medium Duty Aluminum Air Cylinder

Peninsular Mounting Style: **LM 13**



- KM (SHORT MALE)
- KF (SHORT FEMALE)
- KD (FULL MALE)
- KI (INTERMEDIATE MALE)
- KA (LONG MALE)



2.60

BORE	ROD					ROD THREAD X LENGTH																	NPT																
	MM	KM & KF	KD	KI	KA	AB	AH	AL	AT	AW	B	C	D	E	EE	F	G	J	K	KN	LB	OD	P	R	S	SA	TR	WB	XA	Y	ZA								
1.500	.625	7/16"-20 x .750	5/8"-18 x .750	1/2"-20 x .750	1/2"-20 x 1.125	.438	1.188	1.000	.125	.375	1.124	.375	.500	2.000	3/8	.375	1.500	1.000	.312	.438	3.625	1.750	2.335	1.428	1.250	6.000	.250	1.000	5.625	1.875	6.000								
	1.000	3/4"-16 x 1.125	1"-14 x 1.125	7/8"-14 x 1.125	7/8"-14 x 1.875						1.499	.500	.875															1.375	6.000	2.250	6.375								
2.000	.625	7/16"-20 x .750	5/8"-18 x .750	1/2"-20 x .750	1/2"-20 x 1.125	.438	1.438	1.000	.125	.375	1.124	.375	.500	2.500	3/8	.375	1.500	1.000	.344	.500	3.625	2.250	2.335	1.838	1.750	6.000	.312	1.000	5.625	1.875	6.000								
	1.000	3/4"-16 x 1.125	1"-14 x 1.125	7/8"-14 x 1.125	7/8"-14 x 1.875						1.499	.500	.875															1.375	6.000	2.250	6.375								
	1.375	1"-14 x 1.625	3/8"-12 x 1.625	1 1/4"-12 x 1.625	1 1/4"-12 x 2.500							1.999	.625	1.125														1.625	6.250	2.500	6.625								
2.500	.625	7/16"-20 x .750	5/8"-18 x .750	1/2"-20 x .750	1/2"-20 x 1.125	.438	1.625	1.000	.125	.375	1.124	.375	.500	3.000	3/8	.375	1.500	1.000	.344	.500	3.750	2.750	2.460	2.192	2.250	6.125	.312	1.000	5.750	1.875	6.125								
	1.000	3/4"-16 x 1.125	1"-14 x 1.125	7/8"-14 x 1.125	7/8"-14 x 1.875						1.499	.500	.875															1.375	6.125	2.250	6.500								
	1.375	1"-14 x 1.625	3/8"-12 x 1.625	1 1/4"-12 x 1.625	1 1/4"-12 x 2.500							1.999	.625	1.125														1.625	6.375	2.500	6.750								
3.250	.625	7/16"-20 x .750	5/8"-18 x .750	1/2"-20 x .750	1/2"-20 x 1.125	.438	1.625	1.000	.125	.375	1.124	.375	.500	3.000	3/8	.375	1.500	1.000	.344	.500	3.750	2.750	2.460	2.192	2.250	6.125	.312	1.000	5.750	1.875	6.125								
	1.000	3/4"-16 x 1.125	1"-14 x 1.125	7/8"-14 x 1.125	7/8"-14 x 1.875						1.499	.500	.875															1.375	6.125	2.250	6.500								
	1.375	1"-14 x 1.625	3/8"-12 x 1.625	1 1/4"-12 x 1.625	1 1/4"-12 x 2.500							1.999	.625	1.125														1.625	6.375	2.500	6.750								
4.000	.625	7/16"-20 x .750	5/8"-18 x .750	1/2"-20 x .750	1/2"-20 x 1.125	.438	1.625	1.000	.125	.375	1.124	.375	.500	3.000	3/8	.375	1.500	1.000	.344	.500	3.750	2.750	2.460	2.192	2.250	6.125	.312	1.000	5.750	1.875	6.125								
	1.000	3/4"-16 x 1.125	1"-14 x 1.125	7/8"-14 x 1.125	7/8"-14 x 1.875						1.499	.500	.875															1.375	6.125	2.250	6.500								
	1.375	1"-14 x 1.625	3/8"-12 x 1.625	1 1/4"-12 x 1.625	1 1/4"-12 x 2.500							1.999	.625	1.125														1.625	6.375	2.500	6.750								
5.000	.625	7/16"-20 x .750	5/8"-18 x .750	1/2"-20 x .750	1/2"-20 x 1.125	.438	1.625	1.000	.125	.375	1.124	.375	.500	3.000	3/8	.375	1.500	1.000	.344	.500	3.750	2.750	2.460	2.192	2.250	6.125	.312	1.000	5.750	1.875	6.125								
	1.000	3/4"-16 x 1.125	1"-14 x 1.125	7/8"-14 x 1.125	7/8"-14 x 1.875						1.499	.500	.875															1.375	6.125	2.250	6.500								
	1.375	1"-14 x 1.625	3/8"-12 x 1.625	1 1/4"-12 x 1.625	1 1/4"-12 x 2.500							1.999	.625	1.125														1.625	6.375	2.500	6.750								
6.000	.625	7/16"-20 x .750	5/8"-18 x .750	1/2"-20 x .750	1/2"-20 x 1.125	.438	1.625	1.000	.125	.375	1.124	.375	.500	3.000	3/8	.375	1.500	1.000	.344	.500	3.750	2.750	2.460	2.192	2.250	6.125	.312	1.000	5.750	1.875	6.125								
	1.000	3/4"-16 x 1.125	1"-14 x 1.125	7/8"-14 x 1.125	7/8"-14 x 1.875						1.499	.500	.875															1.375	6.125	2.250	6.500								
	1.375	1"-14 x 1.625	3/8"-12 x 1.625	1 1/4"-12 x 1.625	1 1/4"-12 x 2.500							1.999	.625	1.125														1.625	6.375	2.500	6.750								

NEVA DESIGN

FILE: LM13S2.dwg REV: 09-25-06