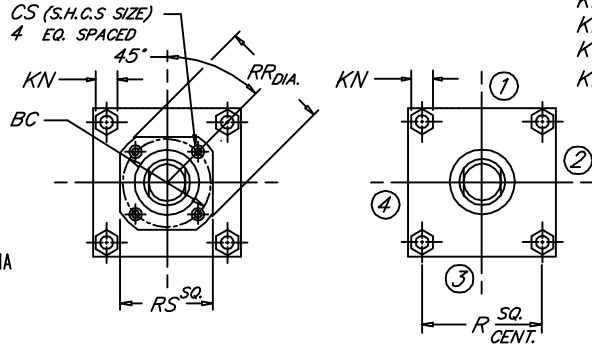
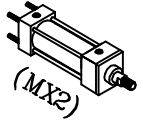


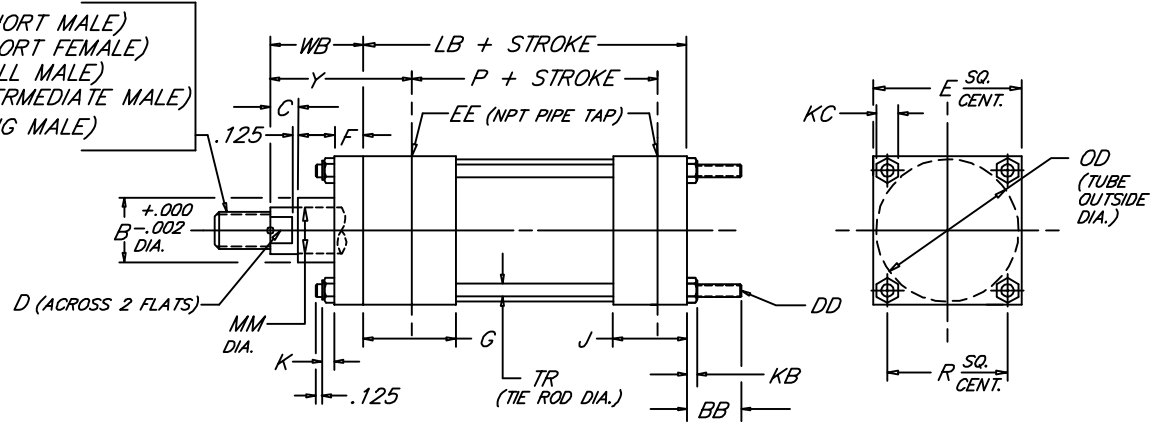
CAP TIE ROD EXTENDED

Peninsular
Mounting Style: **LM 11**

Medium Duty Aluminum Air Cylinder



- KM (SHORT MALE)
- KF (SHORT FEMALE)
- KD (FULL MALE)
- KI (INTERMEDIATE MALE)
- KA (LONG MALE)



2.58

BORE	ROD					ROD THREAD X LENGTH																	NPT								
	MM	KM & KF	KD	KI	KA	B	BB	BC	C	CS	D	DD	E	EE	F	G	J	K	KB	KC	KN	LB	OD	P	R	RR	RS	TR	WB	Y	
1.500	.625	7/16"-20 x .750	5/8"-18 x .750	1/2"-20 x .750	1/2"-20 x 1.125	1.124	1.000	---	.375	---	.500	1/4"-28	2.000	3/8	.375	1.500	1.000	.312	.218	.438	.438	3.625	1.750	2.335	1.428	---	---	.250	1.000	1.875	
	1.000	3/4"-16 x 1.125	1"-14 x 1.125	7/8"-14 x 1.125	7/8"-14 x 1.875	1.499	---	---	.500	---	.875	5/16"-24	2.500	3/8	.375	1.500	1.000	.344	.250	.500	.500	3.625	2.250	2.335	1.838	---	---	.312	1.375	2.250	
	1.375	1"-14 x 1.625	3/8"-12 x 1.625	1/4"-12 x 1.625	1/4"-12 x 2.500	1.999	---	---	.625	---	1.125	5/16"-24	3.000	3/8	.375	1.500	1.000	.344	.250	.500	.500	3.750	2.750	2.460	2.192	---	---	.312	1.625	2.500	
2.000	.625	7/16"-20 x .750	5/8"-18 x .750	1/2"-20 x .750	1/2"-20 x 1.125	1.124	1.125	---	.375	---	.500	5/16"-24	2.500	3/8	.375	1.500	1.000	.344	.250	.500	.500	3.625	2.250	2.335	1.838	---	---	.312	1.000	1.875	
	1.000	3/4"-16 x 1.125	1"-14 x 1.125	7/8"-14 x 1.125	7/8"-14 x 1.875	1.499	---	---	.500	---	.875	5/16"-24	2.500	3/8	.375	1.500	1.000	.344	.250	.500	.500	3.625	2.250	2.335	1.838	---	---	.312	1.375	2.250	
	1.375	1"-14 x 1.625	3/8"-12 x 1.625	1/4"-12 x 1.625	1/4"-12 x 2.500	1.999	---	---	.625	---	1.125	5/16"-24	3.000	3/8	.375	1.500	1.000	.344	.250	.500	.500	3.750	2.750	2.460	2.192	---	---	.312	1.625	2.500	
2.500	.625	7/16"-20 x .750	5/8"-18 x .750	1/2"-20 x .750	1/2"-20 x 1.125	1.124	1.125	---	.375	---	.500	5/16"-24	2.500	3/8	.375	1.500	1.000	.344	.250	.500	.500	3.625	2.250	2.335	1.838	---	---	.312	1.000	1.875	
	1.000	3/4"-16 x 1.125	1"-14 x 1.125	7/8"-14 x 1.125	7/8"-14 x 1.875	1.499	---	---	.500	---	.875	5/16"-24	2.500	3/8	.375	1.500	1.000	.344	.250	.500	.500	3.625	2.250	2.335	1.838	---	---	.312	1.375	2.250	
	1.375	1"-14 x 1.625	3/8"-12 x 1.625	1/4"-12 x 1.625	1/4"-12 x 2.500	1.999	---	---	.625	---	1.125	5/16"-24	3.000	3/8	.375	1.500	1.000	.344	.250	.500	.500	3.750	2.750	2.460	2.192	---	---	.312	1.625	2.500	
3.250	1.000	3/4"-16 x 1.125	1"-14 x 1.125	7/8"-14 x 1.125	7/8"-14 x 1.875	1.499	1.375	---	.500	---	.875	3/8"-24	3.750	1/2	.625	1.750	1.250	.438	.328	.562	.562	4.250	3.500	2.750	2.758	---	---	.375	1.375	2.375	
	1.375	1"-14 x 1.625	3/8"-12 x 1.625	1/4"-12 x 1.625	1/4"-12 x 2.500	1.999	---	---	.625	---	1.125	3/8"-24	3.750	1/2	.625	1.750	1.250	.438	.328	.562	.562	4.250	3.500	2.750	2.758	---	---	.375	1.625	2.625	
	1.750	1 1/4"-12 x 2.000	3/4"-12 x 2.000	1/2"-12 x 2.000	1/2"-12 x 3.000	2.374	---	---	.750	---	1.500	3/8"-24	3.750	1/2	.625	1.750	1.250	.438	.328	.562	.562	4.250	3.500	2.750	2.758	---	---	.375	1.875	2.875	
4.000	2.000	1 1/2"-12 x 2.250	2"-12 x 2.250	3/4"-12 x 2.250	3/4"-12 x 3.500	2.624	---	---	.875	---	1.688	3/8"-24	4.500	1/2	.625	1.750	1.250	.438	.328	.562	.562	4.250	4.250	2.750	3.323	3.734	3.000	.375	2.000	3.000	
	2.500	1 7/8"-12 x 3.000	2 1/2"-12 x 3.000	2 1/4"-12 x 3.000	2 1/4"-12 x 4.500	3.124	---	---	1.000	---	2.062	3/8"-24	4.500	1/2	.625	1.750	1.250	.438	.328	.562	.562	4.250	4.250	2.750	3.323	3.734	3.000	.375	2.250	3.250	
	3.000	2 1/4"-12 x 3.500	3"-12 x 3.500	2 3/4"-12 x 3.500	2 3/4"-12 x 5.000	3.749	---	---	1.000	---	2.625	3/8"-24	4.500	1/2	.625	1.750	1.250	.438	.328	.562	.562	4.250	4.250	2.750	3.323	3.734	3.000	.375	2.500	3.500	
5.000	1.000	3/4"-16 x 1.125	1"-14 x 1.125	7/8"-14 x 1.125	7/8"-14 x 1.875	1.499	2.562	.500	.250	.875	---	---	---	---	---	---	---	---	---	---	---	---	---	---	---	---	---	---	---	---	---
	1.375	1"-14 x 1.625	3/8"-12 x 1.625	1/4"-12 x 1.625	1/4"-12 x 2.500	1.999	---	---	.625	.250	1.125	---	---	---	---	---	---	---	---	---	---	---	---	---	---	---	---	---	---	---	---
	1.750	1 1/4"-12 x 2.000	3/4"-12 x 2.000	1/2"-12 x 2.000	1/2"-12 x 3.000	2.374	---	---	.750	.312	1.500	---	---	---	---	---	---	---	---	---	---	---	---	---	---	---	---	---	---	---	---
6.000	2.000	1 1/2"-12 x 2.250	2"-12 x 2.250	3/4"-12 x 2.250	3/4"-12 x 3.500	2.624	1.812	.875	.312	1.688	---	---	---	---	---	---	---	---	---	---	---	---	---	---	---	---	---	---	---	---	---
	2.500	1 7/8"-12 x 3.000	2 1/2"-12 x 3.000	2 1/4"-12 x 3.000	2 1/4"-12 x 4.500	3.124	---	---	1.000	.312	2.062	---	---	---	---	---	---	---	---	---	---	---	---	---	---	---	---	---	---	---	---
	3.000	2 1/4"-12 x 3.500	3"-12 x 3.500	2 3/4"-12 x 3.500	2 3/4"-12 x 5.000	3.749	---	---	1.000	.312	2.625	---	---	---	---	---	---	---	---	---	---	---	---	---	---	---	---	---	---	---	---
6.000	3.500	2 1/2"-12 x 3.500	3 1/2"-12 x 3.500	3 1/4"-12 x 3.500	3 1/4"-12 x 5.000	4.249	---	---	1.000	.312	3.375	---	---	---	---	---	---	---	---	---	---	---	---	---	---	---	---	---	---	---	---
	4.000	3"-12 x 4.000	4"-12 x 4.000	3 3/4"-12 x 4.000	3 3/4"-12 x 5.500	4.749	---	---	1.000	.375	4.000	---	---	---	---	---	---	---	---	---	---	---	---	---	---	---	---	---	---	---	---
	4.000	3"-12 x 4.000	4"-12 x 4.000	3 3/4"-12 x 4.000	3 3/4"-12 x 5.500	4.749	---	---	1.000	.375	4.000	---	---	---	---	---	---	---	---	---	---	---	---	---	---	---	---	---	---	---	---

NEVA DESIGN

FILE: LM11S2.dwg REV: 09-25-06