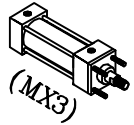


HEAD TIE ROD EXTENDED

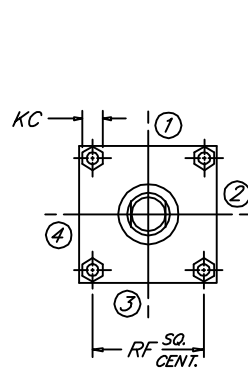
Peninsular Mounting Style:

LH 8

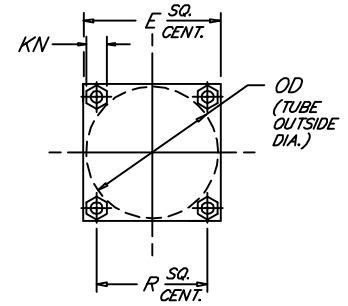
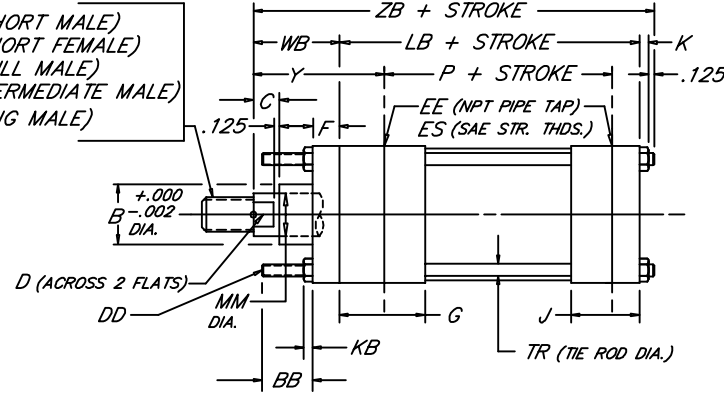
Low Pressure Steel Hydraulic Cylinder



BORE	WORKING P.S.I.	RATED P.S.I.
1.50	1500	2500
2.00	1500	2500
2.50	1000	1500
3.25	1000	1500
4.00	1000	1500
5.00	800	1200
6.00	800	1200



KM (SHORT MALE)
KF (SHORT FEMALE)
KD (FULL MALE)
KI (INTERMEDIATE MALE)
KA (LONG MALE)



7.17

BORE	ROD					ROD THREAD X LENGTH																	NPT/SAE						
	MM	KM & KF	KD	KI	KA	B	BB	C	D	DD	E	EE	ES	F	G	J	K	KB	KC	KN	LB	OD	P	R	RF	TR	WB	Y	ZB
1.500	.625	7/16"-20 x .750	5/8"-18 x .750	1/2"-20 x .750	1/2"-20 x 1.125	1.124	1.000	.375	.500	1/4"-28	2.000	3/8	-6	.375	1.500	1.000	.344	.218	.438	.500	3.625	1.750	2.335	1.478	1.428	.312	1.000	1.875	5.094
	1.000	3/4"-16 x 1.125	1"-14 x 1.125	7/8"-14 x 1.125	7/8"-14 x 1.875	1.499	1.000	.500	.875	1/4"-28	2.000	3/8	-6	.375	1.500	1.000	.344	.218	.438	.500	3.625	1.750	2.335	1.478	1.428	.312	1.375	2.250	5.469
	1.375	1"-14 x 1.625	1 3/8"-12 x 1.625	1 1/4"-12 x 1.625	1 1/4"-12 x 2.500	1.999	1.125	.500	.875	5/16"-24	2.500	3/8	-6	.375	1.500	1.000	.406	.250	.500	.562	3.625	2.375	2.335	1.966	1.838	.375	1.375	2.250	5.531
2.000	.625	7/16"-20 x .750	5/8"-18 x .750	1/2"-20 x .750	1/2"-20 x 1.125	1.124	1.000	.375	.500	1/4"-28	2.000	3/8	-6	.375	1.500	1.000	.344	.218	.438	.500	3.625	1.750	2.335	1.478	1.428	.312	1.000	1.875	5.156
	1.000	3/4"-16 x 1.125	1"-14 x 1.125	7/8"-14 x 1.125	7/8"-14 x 1.875	1.499	1.000	.500	.875	1/4"-28	2.000	3/8	-6	.375	1.500	1.000	.344	.218	.438	.500	3.625	1.750	2.335	1.478	1.428	.312	1.375	2.250	5.531
	1.375	1"-14 x 1.625	1 3/8"-12 x 1.625	1 1/4"-12 x 1.625	1 1/4"-12 x 2.500	1.999	1.125	.500	.875	5/16"-24	2.500	3/8	-6	.375	1.500	1.000	.406	.250	.500	.562	3.625	2.375	2.335	1.966	1.838	.375	1.625	2.500	5.781
2.500	.625	7/16"-20 x .750	5/8"-18 x .750	1/2"-20 x .750	1/2"-20 x 1.125	1.124	1.000	.375	.500	1/4"-28	2.000	3/8	-6	.375	1.500	1.000	.344	.218	.438	.500	3.625	1.750	2.335	1.478	1.428	.312	1.000	1.875	5.281
	1.000	3/4"-16 x 1.125	1"-14 x 1.125	7/8"-14 x 1.125	7/8"-14 x 1.875	1.499	1.000	.500	.875	1/4"-28	2.000	3/8	-6	.375	1.500	1.000	.344	.218	.438	.500	3.625	1.750	2.335	1.478	1.428	.312	1.375	2.250	5.656
	1.375	1"-14 x 1.625	1 3/8"-12 x 1.625	1 1/4"-12 x 1.625	1 1/4"-12 x 2.500	1.999	1.125	.500	.875	5/16"-24	2.500	3/8	-6	.375	1.500	1.000	.406	.250	.500	.562	3.625	2.375	2.335	1.966	1.838	.375	1.625	2.500	5.906
3.250	.625	7/16"-20 x .750	5/8"-18 x .750	1/2"-20 x .750	1/2"-20 x 1.125	1.124	1.000	.375	.500	1/4"-28	2.000	3/8	-6	.375	1.500	1.000	.344	.218	.438	.500	3.625	1.750	2.335	1.478	1.428	.312	1.000	1.875	5.281
	1.000	3/4"-16 x 1.125	1"-14 x 1.125	7/8"-14 x 1.125	7/8"-14 x 1.875	1.499	1.000	.500	.875	1/4"-28	2.000	3/8	-6	.375	1.500	1.000	.344	.218	.438	.500	3.625	1.750	2.335	1.478	1.428	.312	1.375	2.250	5.656
	1.375	1"-14 x 1.625	1 3/8"-12 x 1.625	1 1/4"-12 x 1.625	1 1/4"-12 x 2.500	1.999	1.125	.500	.875	5/16"-24	2.500	3/8	-6	.375	1.500	1.000	.406	.250	.500	.562	3.625	2.375	2.335	1.966	1.838	.375	1.625	2.500	5.906
4.000	.625	7/16"-20 x .750	5/8"-18 x .750	1/2"-20 x .750	1/2"-20 x 1.125	1.124	1.000	.375	.500	1/4"-28	2.000	3/8	-6	.375	1.500	1.000	.344	.218	.438	.500	3.625	1.750	2.335	1.478	1.428	.312	1.000	1.875	5.281
	1.000	3/4"-16 x 1.125	1"-14 x 1.125	7/8"-14 x 1.125	7/8"-14 x 1.875	1.499	1.000	.500	.875	1/4"-28	2.000	3/8	-6	.375	1.500	1.000	.344	.218	.438	.500	3.625	1.750	2.335	1.478	1.428	.312	1.375	2.250	5.656
	1.375	1"-14 x 1.625	1 3/8"-12 x 1.625	1 1/4"-12 x 1.625	1 1/4"-12 x 2.500	1.999	1.125	.500	.875	5/16"-24	2.500	3/8	-6	.375	1.500	1.000	.406	.250	.500	.562	3.625	2.375	2.335	1.966	1.838	.375	1.625	2.500	5.906
5.000	.625	7/16"-20 x .750	5/8"-18 x .750	1/2"-20 x .750	1/2"-20 x 1.125	1.124	1.000	.375	.500	1/4"-28	2.000	3/8	-6	.375	1.500	1.000	.344	.218	.438	.500	3.625	1.750	2.335	1.478	1.428	.312	1.000	1.875	5.281
	1.000	3/4"-16 x 1.125	1"-14 x 1.125	7/8"-14 x 1.125	7/8"-14 x 1.875	1.499	1.000	.500	.875	1/4"-28	2.000	3/8	-6	.375	1.500	1.000	.344	.218	.438	.500	3.625	1.750	2.335	1.478	1.428	.312	1.375	2.250	5.656
	1.375	1"-14 x 1.625	1 3/8"-12 x 1.625	1 1/4"-12 x 1.625	1 1/4"-12 x 2.500	1.999	1.125	.500	.875	5/16"-24	2.500	3/8	-6	.375	1.500	1.000	.406	.250	.500	.562	3.625	2.375	2.335	1.966	1.838	.375	1.625	2.500	5.906
6.000	.625	7/16"-20 x .750	5/8"-18 x .750	1/2"-20 x .750	1/2"-20 x 1.125	1.124	1.000	.375	.500	1/4"-28	2.000	3/8	-6	.375	1.500	1.000	.344	.218	.438	.500	3.625	1.750	2.335	1.478	1.428	.312	1.000	1.875	5.281
	1.000	3/4"-16 x 1.125	1"-14 x 1.125	7/8"-14 x 1.125	7/8"-14 x 1.875	1.499	1.000	.500	.875	1/4"-28	2.000	3/8	-6	.375	1.500	1.000	.344	.218	.438	.500	3.625	1.750	2.335	1.478	1.428	.312	1.375	2.250	5.656
	1.375	1"-14 x 1.625	1 3/8"-12 x 1.625	1 1/4"-12 x 1.625	1 1/4"-12 x 2.500	1.999	1.125	.500	.875	5/16"-24	2.500	3/8	-6	.375	1.500	1.000	.406	.250	.500	.562	3.625	2.375	2.335	1.966	1.838	.375	1.625	2.500	5.906

NEW DESIGN

FILE: LHB.dwg REV: 09-25-06