

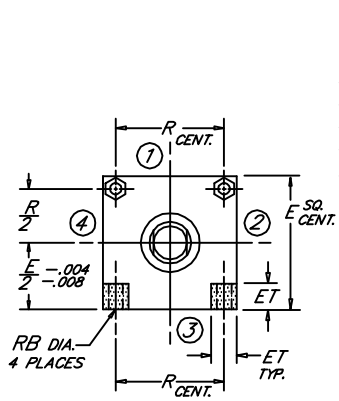
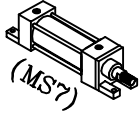
END LUGS

Low Pressure Steel Hydraulic Cylinder

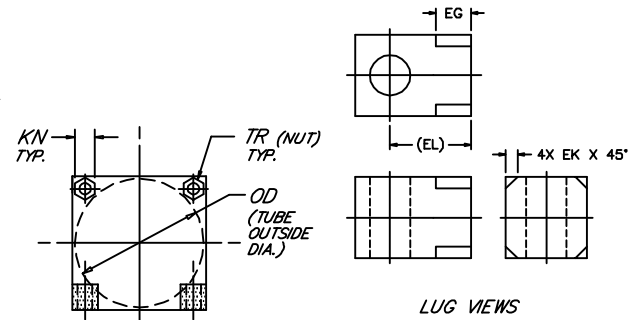
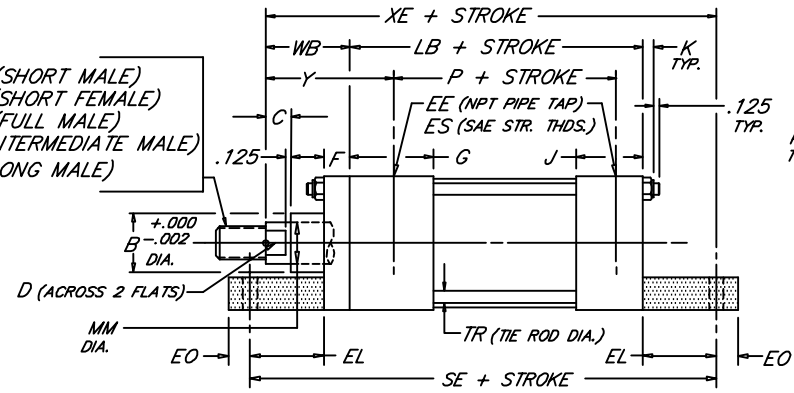
BORE	1.50	2.00	2.50	3.25	4.00	5.00	6.00
WORKING P.S.I.	1500	1500	1000	1000	1000	800	800
RATED P.S.I.	2500	2500	1500	1500	1500	1200	1200

Peninsular Mounting Style:

LH 14



- KM (SHORT MALE)
- KF (SHORT FEMALE)
- KD (FULL MALE)
- KI (INTERMEDIATE MALE)
- KA (LONG MALE)



7.21

BORE	ROD				NPT/SAE																										
	MM	ROD THREAD X LENGTH			B	C	D	E	EE	ES	EG	EK	EL	EO	ET	F	G	J	K	KN	LB	OD	P	R	RB	SE	TR	WB	XE	Y	
1.500	.625	7/16"-20 x .750	5/8"-18 x .750	1/2"-20 x .750	1/2"-20 x 1.125	1.124	.375	.500	2.000	3/8	-6	.620	.190	.750	.250	.562	.375	1.500	1.000	.344	.500	3.625	1.750	2.335	1.478	.312	5.500	.312	1.000	5.375	1.875
	1.000	3/4"-16 x 1.125	1"-14 x 1.125	7/8"-14 x 1.125	7/8"-14 x 1.875	1.499	.500	.875	2.500	3/8	-6	.750	.190	.938	.312	.625	.375	1.500	1.000	.406	.562	3.625	2.375	2.335	1.966	.375	5.875	.375	1.375	5.938	2.250
2.000	.625	7/16"-20 x .750	5/8"-18 x .750	1/2"-20 x .750	1/2"-20 x 1.125	1.124	.375	.500	3.000	3/8	-6	.750	.190	1.062	.312	.781	.375	1.500	1.000	.406	.562	3.750	2.875	2.460	2.320	.375	6.250	.375	1.000	5.562	1.875
	1.000	3/4"-16 x 1.125	1"-14 x 1.125	7/8"-14 x 1.125	7/8"-14 x 1.875	1.499	.500	.875	3.000	3/8	-6	.750	.190	1.062	.312	.781	.375	1.500	1.000	.406	.562	3.750	2.875	2.460	2.320	.375	6.250	.375	1.375	5.938	2.250
2.500	.625	7/16"-20 x .750	5/8"-18 x .750	1/2"-20 x .750	1/2"-20 x 1.125	1.124	.375	.500	3.000	3/8	-6	.750	.190	1.062	.312	.781	.375	1.500	1.000	.406	.562	3.750	2.875	2.460	2.320	.375	6.250	.375	1.000	5.618	1.875
	1.000	3/4"-16 x 1.125	1"-14 x 1.125	7/8"-14 x 1.125	7/8"-14 x 1.875	1.499	.500	.875	3.000	3/8	-6	.750	.190	1.062	.312	.781	.375	1.500	1.000	.406	.562	3.750	2.875	2.460	2.320	.375	6.250	.375	1.375	6.188	2.500
3.250	.625	7/16"-20 x .750	5/8"-18 x .750	1/2"-20 x .750	1/2"-20 x 1.125	1.124	.375	.500	3.750	1/2	-8	.620	.120	.875	.375	1.000	.625	1.750	1.250	.531	.750	4.250	3.625	2.750	2.942	.438	6.625	.500	1.375	6.500	2.375
	1.000	3/4"-16 x 1.125	1"-14 x 1.125	7/8"-14 x 1.125	7/8"-14 x 1.875	1.499	.500	.875	3.750	1/2	-8	.620	.120	.875	.375	1.000	.625	1.750	1.250	.531	.750	4.250	3.625	2.750	2.942	.438	6.625	.500	1.625	6.750	2.625
4.000	.625	7/16"-20 x .750	5/8"-18 x .750	1/2"-20 x .750	1/2"-20 x 1.125	1.124	.375	.500	4.500	1/2	-8	.620	.120	.875	.375	1.188	.625	1.750	1.250	.531	.750	4.250	4.375	2.750	3.469	.438	6.875	.500	1.375	6.625	2.375
	1.000	3/4"-16 x 1.125	1"-14 x 1.125	7/8"-14 x 1.125	7/8"-14 x 1.875	1.499	.500	.875	4.500	1/2	-8	.620	.120	.875	.375	1.188	.625	1.750	1.250	.531	.750	4.250	4.375	2.750	3.469	.438	6.875	.500	1.625	6.875	2.625
5.000	.625	7/16"-20 x .750	5/8"-18 x .750	1/2"-20 x .750	1/2"-20 x 1.125	1.124	.375	.500	5.500	1/2	-8	.620	.120	.875	.375	1.375	.625	1.750	1.250	.531	.750	4.500	5.375	3.000	4.285	.562	7.250	.625	1.375	6.938	2.375
	1.000	3/4"-16 x 1.125	1"-14 x 1.125	7/8"-14 x 1.125	7/8"-14 x 1.875	1.499	.500	.875	5.500	1/2	-8	.620	.120	.875	.375	1.375	.625	1.750	1.250	.531	.750	4.500	5.375	3.000	4.285	.562	7.250	.625	1.625	7.188	2.625
6.000	.625	7/16"-20 x .750	5/8"-18 x .750	1/2"-20 x .750	1/2"-20 x 1.125	1.124	.375	.500	6.500	3/4	-12	.620	.120	.875	.375	1.625	.750	2.000	1.500	.656	.938	5.000	6.375	3.250	4.992	.562	7.750	.625	1.375	7.625	2.750
	1.000	3/4"-16 x 1.125	1"-14 x 1.125	7/8"-14 x 1.125	7/8"-14 x 1.875	1.499	.500	.875	6.500	3/4	-12	.620	.120	.875	.375	1.625	.750	2.000	1.500	.656	.938	5.000	6.375	3.250	4.992	.562	7.750	.625	1.625	7.875	3.000

MEGA DESIGN

FILE: LH14.dwg REV: 09-25-06