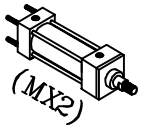


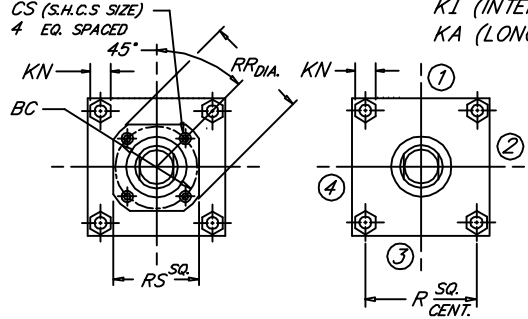
CAP TIE ROD EXTENDED

Peninsular Mounting Style: **LH 11**

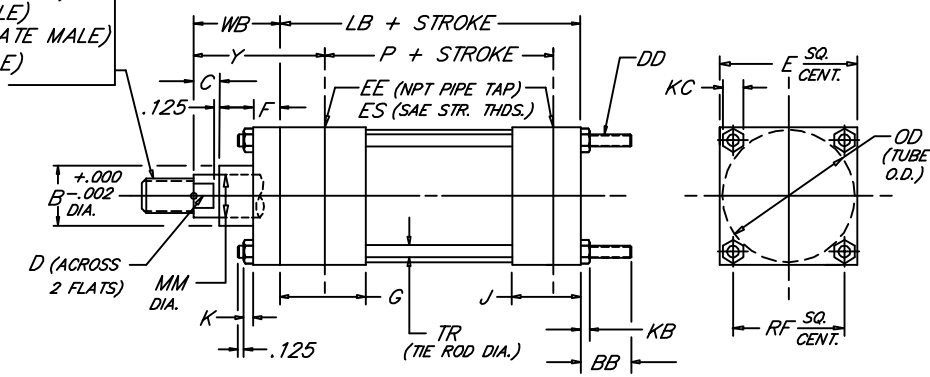
Low Pressure Steel Hydraulic Cylinder



BORE	WORKING P.S.I.	RATED P.S.I.
1.50	1500	2500
2.00	1500	2500
2.50	1000	1500
3.25	1000	1500
4.00	1000	1500
5.00	800	1200
6.00	800	1200



KM (SHORT MALE)
KF (SHORT FEMALE)
KD (FULL MALE)
KI (INTERMEDIATE MALE)
KA (LONG MALE)



7.18

BORE	ROD					ROD THREAD X LENGTH															NPT/SAE											
	MM	KM & KF	KD	KI	KA	B	BB	BC	C	CS	D	DD	E	EE	ES	F	G	J	K	KB	KC	KN	LB	OD	P	R	RF	RR	RS	TR	WB	Y
1.500	.625	7/16"-20 x .750	5/8"-18 x .750	1/2"-20 x .750	1/2"-20 x 1.125	1.124	1.000	---	.375	---	.500	1/4"-28	2.000	3/8	-6	.375	1.500	1.000	.344	.218	.438	.500	3.625	1.750	2.335	1.478	1.428	---	---	.312	1.000	1.875
	1.000	3/4"-16 x 1.125	1"-14 x 1.125	7/8"-14 x 1.125	7/8"-14 x 1.875	1.499	---	---	.500	---	.875	---	---	---	---	---	---	---	---	---	---	---	---	---	---	---	---	---	---	---	---	1.375
2.000	.625	7/16"-20 x .750	5/8"-18 x .750	1/2"-20 x .750	1/2"-20 x 1.125	1.124	1.125	---	.375	---	.500	5/16"-24	2.500	3/8	-6	.375	1.500	1.000	.406	.250	.500	.562	3.625	2.375	2.335	1.966	1.838	---	---	.375	1.000	1.875
	1.000	3/4"-16 x 1.125	1"-14 x 1.125	7/8"-14 x 1.125	7/8"-14 x 1.875	1.499	---	---	.500	---	.875	---	---	---	---	---	---	---	---	---	---	---	---	---	---	---	---	---	---	---	---	1.375
2.500	.625	7/16"-20 x .750	5/8"-18 x .750	1/2"-20 x .750	1/2"-20 x 1.125	1.124	1.125	---	.375	---	.500	5/16"-24	3.000	3/8	-6	.375	1.500	1.000	.406	.250	.500	.562	3.750	2.875	2.460	2.320	2.192	---	---	.375	1.000	1.875
	1.000	3/4"-16 x 1.125	1"-14 x 1.125	7/8"-14 x 1.125	7/8"-14 x 1.875	1.499	---	---	.500	---	.875	---	---	---	---	---	---	---	---	---	---	---	---	---	---	---	---	---	---	---	---	1.375
3.250	1.375	1"-14 x 1.625	3/8"-12 x 1.625	1/4"-12 x 1.625	1/4"-12 x 2.500	1.999	1.375	---	.625	---	1.125	3/8"-24	3.750	1/2	-8	.625	1.750	1.250	.531	.328	.562	.750	4.250	3.625	2.750	2.942	2.758	---	---	.500	1.625	2.875
	1.750	1 1/4"-12 x 2.000	3/4"-12 x 2.000	1/2"-12 x 2.000	1/2"-12 x 3.000	2.374	---	---	.750	---	1.500	---	---	---	---	---	---	---	---	---	---	---	---	---	---	---	---	---	---	---	1.875	2.750
4.000	1.000	3/4"-16 x 1.125	1"-14 x 1.125	7/8"-14 x 1.125	7/8"-14 x 1.875	1.499	1.375	2.562	.500	.250	.875	3/8"-24	4.500	1/2	-8	.625	1.750	1.250	.531	.328	.562	.750	4.250	4.375	2.750	3.469	3.323	---	---	.500	1.375	2.375
	1.375	1"-14 x 1.625	3/8"-12 x 1.625	1/4"-12 x 1.625	1/4"-12 x 2.500	1.999	---	---	.625	.250	1.125	---	---	---	---	---	---	---	---	---	---	---	---	---	---	---	---	---	---	---	1.625	2.625
5.000	1.750	1 1/4"-12 x 2.000	3/4"-12 x 2.000	1/2"-12 x 2.000	1/2"-12 x 3.000	2.374	1.375	3.267	.750	.312	1.500	3/8"-24	4.500	1/2	-8	.625	1.750	1.250	.531	.328	.562	.750	4.250	4.375	2.750	3.469	3.323	---	---	.500	1.875	2.875
	2.000	1 1/2"-12 x 2.250	2"-12 x 2.250	3/4"-12 x 2.250	3/4"-12 x 3.500	2.624	---	---	.875	---	1.688	---	---	---	---	---	---	---	---	---	---	---	---	---	---	---	---	---	---	---	2.000	3.000
6.000	2.500	1 7/8"-12 x 3.000	2 1/2"-12 x 3.000	2 1/4"-12 x 3.000	2 1/4"-12 x 4.500	3.124	1.812	3.812	.875	.312	1.688	1/2"-20	5.500	1/2	-8	.625	1.750	1.250	.656	.438	.750	.938	4.500	5.375	3.000	4.285	4.101	---	---	.625	2.000	3.000
	3.000	2 1/4"-12 x 3.500	3"-12 x 3.500	2 3/4"-12 x 3.500	2 3/4"-12 x 5.500	3.749	---	---	1.000	.312	2.062	---	---	---	---	---	---	---	---	---	---	---	---	---	---	---	---	---	---	---	2.250	3.250
6.000	3.500	2 1/2"-12 x 3.500	3 1/2"-12 x 3.500	3 1/4"-12 x 3.500	3 1/4"-12 x 6.500	4.249	---	---	1.000	---	3.000	---	---	---	---	---	---	---	---	---	---	---	---	---	---	---	---	---	---	---	2.250	3.250
	4.000	3"-12 x 4.000	4"-12 x 4.000	3 3/4"-12 x 4.000	3 3/4"-12 x 7.500	4.749	---	---	1.000	---	3.375	---	---	---	---	---	---	---	---	---	---	---	---	---	---	---	---	---	---	---	2.250	3.375

NEVA DESIGN

FILE: LH11.dwg REV: 09-25-06