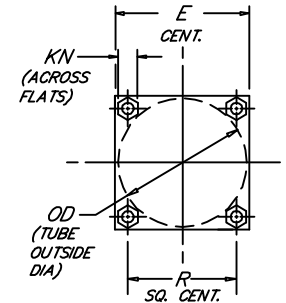
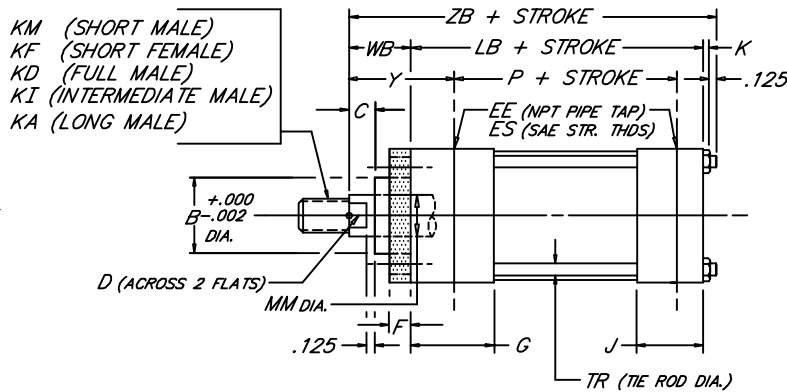
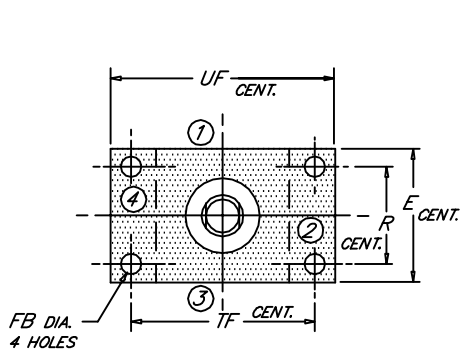
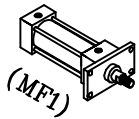


HEAD RECTANGULAR FLANGE

Heavy Duty Hydraulic Cylinder



6.14

| BORE | ROD | | | | | MAXIMUM PRESSURE | NPT/SAE | | | | | | | | | | | | | | | | | | | | | |
|-------|---------------|---------------------|-------------------|---------------------|-------------------|------------------|---------|-------|-------|-------|-----|-------|-------|-------|-------|-------|-------|-------|-------|-------|-------|-------|-------|--------|--------|-------|--------|-------|
| | MM | ROD THREAD X LENGTH | | ROD THREAD X LENGTH | | | B | C | D | E | EE | ES | F | FB | G | J | K | KN | LB | OD | P | R | TF | TR | UF | WB | Y | ZB |
| 1.500 | .625 | 7/16"-20 x .750 | 5/8"-18 x .750 | 1/2"-20 x .750 | 1/2"-20 x 1.125 | 2500 P.S.I. | 1.124 | .375 | .500 | 2.500 | 1/2 | -8 | .375 | .437 | 1.750 | 1.500 | .406 | .562 | 4.625 | 1.875 | 2.875 | 1.625 | 3.438 | .375 | 4.250 | 1.000 | 2.000 | 6.156 |
| | 1.000 | 3/4"-16 x 1.125 | 1"-14 x 1.125 | 7/8"-14 x 1.125 | 7/8"-14 x 1.875 | 1500 P.S.I. | 1.499 | .500 | .875 | 3.000 | 1/2 | -8 | .625 | .562 | 1.750 | 1.500 | .531 | .750 | 4.625 | 2.375 | 2.875 | 2.050 | 4.125 | .500 | 5.125 | 1.375 | 2.375 | 6.531 |
| 2.000 | 1.000 | 3/4"-16 x 1.125 | 1"-14 x 1.125 | 7/8"-14 x 1.125 | 7/8"-14 x 1.875 | 2500 P.S.I. | 1.499 | .500 | .875 | 3.000 | 1/2 | -8 | .625 | .562 | 1.750 | 1.500 | .531 | .750 | 4.625 | 2.375 | 2.875 | 2.050 | 4.125 | .500 | 5.125 | 1.375 | 2.375 | 6.656 |
| | 1.375 | 1"-14 x 1.625 | 1 3/8"-12 x 1.625 | 1 1/4"-12 x 1.625 | 1 1/4"-12 x 2.500 | 1500 P.S.I. | 1.999 | .625 | 1.125 | 3.000 | 1/2 | -8 | .625 | .562 | 1.750 | 1.500 | .531 | .750 | 4.625 | 2.375 | 2.875 | 2.050 | 4.125 | .500 | 5.125 | 1.625 | 2.625 | 6.906 |
| 2.500 | 1.000 | 3/4"-16 x 1.125 | 1"-14 x 1.125 | 7/8"-14 x 1.125 | 7/8"-14 x 1.875 | 2500 P.S.I. | 1.499 | .500 | .875 | 3.000 | 1/2 | -8 | .625 | .562 | 1.750 | 1.500 | .531 | .750 | 4.625 | 2.375 | 2.875 | 2.050 | 4.125 | .500 | 5.125 | 1.375 | 2.375 | 6.781 |
| | 1.375 | 1"-14 x 1.625 | 1 3/8"-12 x 1.625 | 1 1/4"-12 x 1.625 | 1 1/4"-12 x 2.500 | 1900 P.S.I. | 1.999 | .625 | 1.125 | 3.500 | 1/2 | -8 | .625 | .562 | 1.750 | 1.500 | .531 | .750 | 4.625 | 2.375 | 2.875 | 2.050 | 4.125 | .500 | 5.125 | 1.625 | 2.625 | 7.031 |
| 3.250 | 1.750 | 1 1/4"-12 x 2.000 | 1 3/4"-12 x 2.000 | 1 1/2"-12 x 2.000 | 1 1/2"-12 x 3.000 | 1500 P.S.I. | 2.374 | .750 | 1.500 | 4.500 | 3/4 | -12 | .750 | .687 | 2.000 | 1.750 | .656 | .938 | 5.500 | 3.875 | 3.500 | 3.250 | 5.875 | .625 | 7.125 | 1.625 | 2.750 | 7.906 |
| | 2.000 | 1 1/2"-12 x 2.250 | 2"-12 x 2.250 | 1 3/4"-12 x 2.250 | 1 3/4"-12 x 3.500 | 1500 P.S.I. | 2.624 | .875 | 1.688 | 4.500 | 3/4 | -12 | .750 | .687 | 2.000 | 1.750 | .656 | .938 | 5.500 | 3.875 | 3.500 | 3.250 | 5.875 | .625 | 7.125 | 1.875 | 3.000 | 8.156 |
| 4.000 | 1.750 | 1 1/4"-12 x 2.000 | 1 3/4"-12 x 2.000 | 1 1/2"-12 x 2.000 | 1 1/2"-12 x 3.000 | 2500 P.S.I. | 2.374 | .750 | 1.500 | 4.500 | 3/4 | -12 | .750 | .687 | 2.000 | 1.750 | .656 | .938 | 5.500 | 3.875 | 3.500 | 3.250 | 5.875 | .625 | 7.125 | 1.625 | 2.750 | 7.906 |
| | 2.000 | 1 1/2"-12 x 2.250 | 2"-12 x 2.250 | 1 3/4"-12 x 2.250 | 1 3/4"-12 x 3.500 | 1800 P.S.I. | 2.624 | .875 | 1.688 | 5.000 | 3/4 | -12 | .875 | .687 | 2.000 | 1.750 | .656 | .938 | 5.750 | 4.750 | 3.750 | 3.820 | 6.375 | .625 | 7.625 | 2.000 | 3.125 | 8.531 |
| 5.000 | 2.500 | 1 7/8"-12 x 3.000 | 2 1/2"-12 x 3.000 | 2 1/4"-12 x 3.000 | 2 1/4"-12 x 4.500 | 1500 P.S.I. | 3.124 | 1.000 | 2.062 | 5.000 | 3/4 | -12 | .875 | .687 | 2.000 | 1.750 | .656 | .938 | 5.750 | 4.750 | 3.750 | 3.820 | 6.375 | .625 | 7.625 | 2.250 | 3.375 | 8.781 |
| | 3.000 | 2 1/4"-12 x 3.500 | 3"-12 x 3.500 | 2 3/4"-12 x 3.500 | 2 3/4"-12 x 5.500 | 1200 P.S.I. | 3.749 | 1.000 | 2.625 | 6.500 | 3/4 | -12 | .875 | .937 | 2.000 | 1.750 | .875 | 1.312 | 6.250 | 6.000 | 4.250 | 4.950 | 8.188 | .875 | 9.750 | 2.000 | 3.125 | 9.250 |
| 6.000 | 2.500 | 1 7/8"-12 x 3.000 | 2 1/2"-12 x 3.000 | 2 1/4"-12 x 3.000 | 2 1/4"-12 x 4.500 | 2200 P.S.I. | 2.624 | .875 | 1.688 | 6.500 | 3/4 | -12 | .875 | .937 | 2.000 | 1.750 | .875 | 1.312 | 6.250 | 6.000 | 4.250 | 4.950 | 8.188 | .875 | 9.750 | 2.250 | 3.375 | 9.500 |
| | 3.500 | 2 1/2"-12 x 3.500 | 3 1/2"-12 x 3.500 | 3 1/4"-12 x 3.500 | 3 1/4"-12 x 6.500 | 750 P.S.I. | 4.249 | 1.000 | 3.000 | 7.500 | 1 | -16 | 1.000 | 1.062 | 2.250 | 2.250 | 1.000 | 1.500 | 7.375 | 7.000 | 4.875 | 5.730 | 9.438 | 1.000 | 11.250 | 2.250 | 3.500 | 9.500 |
| 4.000 | 3"-12 x 4.000 | 4"-12 x 4.000 | 3 3/4"-12 x 4.000 | 3 3/4"-12 x 7.500 | 1800 P.S.I. | 3.124 | 1.000 | 2.062 | 7.500 | 1 | -16 | 1.000 | 1.062 | 2.250 | 2.250 | 1.000 | 1.500 | 7.375 | 7.000 | 4.875 | 5.730 | 9.438 | 1.000 | 11.250 | 2.250 | 3.500 | 10.750 | |

NFA DESIGN

FILE: HPO4S2.dwg REV: 09-25-06