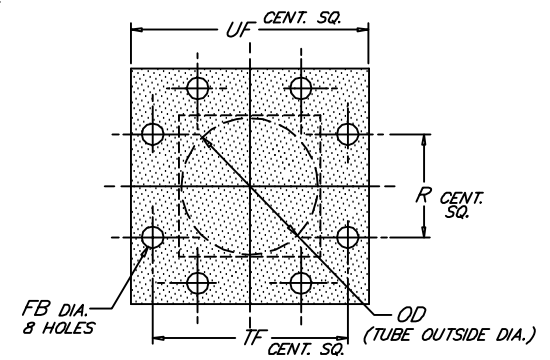
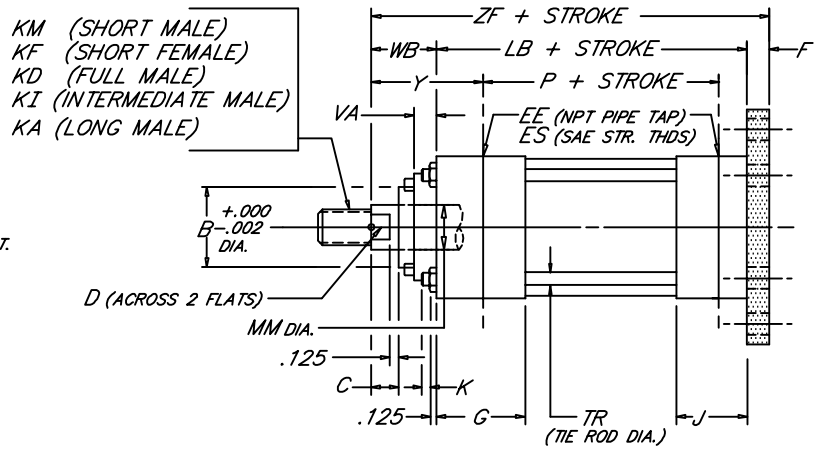
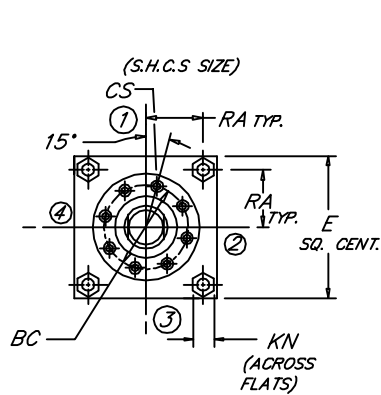
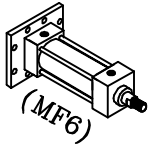


# CAP SQUARE FLANGE

Heavy Duty Hydraulic Cylinder • 3000 P.S.I. Working Pressure • 5000 P.S.I. Rated Pressure

Peninsular  
Mounting Style: **HP 18**



| ROD   |       | ROD THREAD X LENGTH |                   |                   |                    |       | NPT/SAE |       |       |       |       |       |     |       |       |       |       |       |       |       |       |       |       |       |       |        |       |        |      |       |       |        |
|-------|-------|---------------------|-------------------|-------------------|--------------------|-------|---------|-------|-------|-------|-------|-------|-----|-------|-------|-------|-------|-------|-------|-------|-------|-------|-------|-------|-------|--------|-------|--------|------|-------|-------|--------|
| BORE  | MM    | KM & KF             | KD                | KI                | KA                 | B     | BC      | C     | CS    | D     | E     | EE    | ES  | F     | FB    | G     | J     | K     | KN    | LB    | OD    | P     | R     | RA    | RD    | TF     | TR    | UF     | VA   | WB    | Y     | ZF     |
| 8.000 | 3.500 | 2 1/2"-12 x 3.500   | 3 1/2"-12 x 3.500 | 3 1/4"-12 x 3.500 | 3 1/4"-12 x 6.500  | 4.249 | 5.000   | .375  | 3.000 |       |       |       |     |       |       |       |       |       |       |       |       |       |       |       | 5.562 |        |       |        | .375 |       |       |        |
|       | 4.000 | 3"-12 x 4.000       | 4"-12 x 4.000     | 3 3/4"-12 x 4.000 | 3 3/4"-12 x 7.500  | 4.749 | 5.625   | .438  | 3.375 |       |       |       |     |       |       |       |       |       |       |       |       |       |       |       | 6.500 |        |       |        | .500 |       |       |        |
|       | 4.500 | 3 1/4"-12 x 4.500   | 4 1/2"-12 x 4.500 | 4 1/4"-12 x 4.500 | 4 1/4"-12 x 8.250  | 5.249 | 6.375   | 1.000 | .500  | 3.875 | 9.500 | 1 1/2 | -24 | 1.000 | 1.312 | 3.000 | 3.000 | 1.188 | 1.844 | 9.500 | 9.250 | 6.125 | 7.500 | 3.750 | 7.260 | 11.812 | 1.250 | 14.000 | .500 | 2.250 | 3.938 | 12.750 |
|       | 5.000 | 3 1/2"-12 x 5.000   | 5"-12 x 5.000     | 4 3/4"-12 x 5.000 | 4 3/4"-12 x 9.000  | 5.749 | 6.875   | .500  | 4.250 |       |       |       |     |       |       |       |       |       |       |       |       |       |       |       | 7.750 |        |       |        | .500 |       |       |        |
|       | 5.500 | 4"-12 x 5.500       | 5 1/2"-12 x 5.500 | 5 1/4"-12 x 5.500 | 5 1/4"-12 x 10.000 | 6.249 | 7.375   | .500  | 4.625 |       |       |       |     |       |       |       |       |       |       |       |       |       |       |       | 8.260 |        |       |        | .500 |       |       |        |

NEVA DESIGN

FILE: HP18L2.dwg REV: 09-25-06