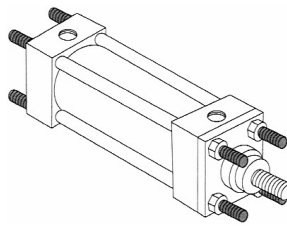


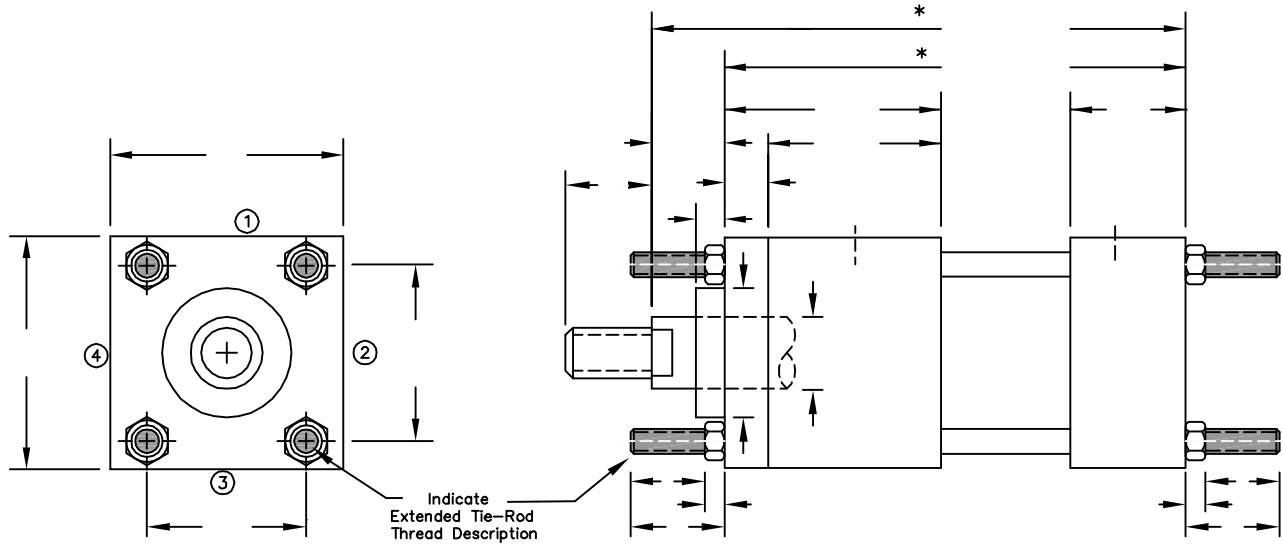
Peninsular Sizing Chart

Head & Cap Tie Rods Extended

MX1 Mount



Date Submitted: _____
 Name: _____
 Company: _____
 Email: _____
 Phone: _____
 Fax: _____



Above - Fill in Actual Cylinder Dimensions
 Below - Check ALL Applicable Boxes & Provide ALL Information to Best Describe the Cylinder

- Hydraulic Cylinder - High Pressure with Tie Rods
- Hydraulic Cylinder - Low Pressure with Tie Rods
- Hydraulic Cylinder - Welded Type without Tie Rods

If Hydraulic, Indicate Working Pressure: _____

If Hydraulic, Indicate Fluid Type: _____

- Air Cylinder - Steel End Caps & Steel Tube with Tie Rods
- Air Cylinder - Aluminum End Caps & Tube with Tie Rods
- Air Cylinder - Aluminum without Tie Rods

Is the Cylinder NFPA ? Yes or No

Is the Cylinder Metric ? Yes or No

Are there Tie Rods on this Cylinder ? Yes or No

Bore Size: _____ Stroke Length: _____

Cylinder Tube Material : _____

Cylinder End Cap Material : _____

Does this Cylinder Have Proximity Switches? Yes No

Does the Cylinder Have Cushion(s) ? Yes No

Supply Port Thread Type NPT SAE (O-Ring) Other (Describe): _____ Port Thread Size (Specify): _____

Piston Rod Diameter: _____ Piston Rod Threads : Male Female Other (Describe) : _____

Specify Piston Rod Thread Diameter, Pitch & Length (For Example: 3/4" - 16 x 1.125") : _____

Indicate Existing Cylinders Manufacturer & Model Number : _____

Indicate any other Special Cylinder Features if applicable. If available, provide Sketches, Engineering Drawings and Photographs of the cylinder. If applicable, indicate the Mode of Cylinder Failure, Harsh Environmental Factors, Electronic Positioning Devices or any other Pertinent Information regarding the Existing Cylinder. For any questions, please call Peninsular Inside Sales at 1-800-526-7968.

In the Spaces Below, Indicate the Position(s) of Supply Ports & Cushions (if Required) for Both the Front & Rear End Caps. Reference the End Cap Feature Locations Chart Below.

Front End Cap

Front End Cap - Position #1 _____

Front End Cap - Position #2 _____

Front End Cap - Position #3 _____

Front End Cap - Position #4 _____

Rear End Cap

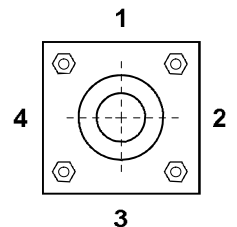
Rear End Cap - Position #1 _____

Rear End Cap - Position #2 _____

Rear End Cap - Position #3 _____

Rear End Cap - Position #4 _____

End Cap Feature Locations Chart



Always View the Cylinder Through the Rod End (Head End)