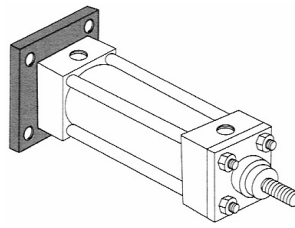


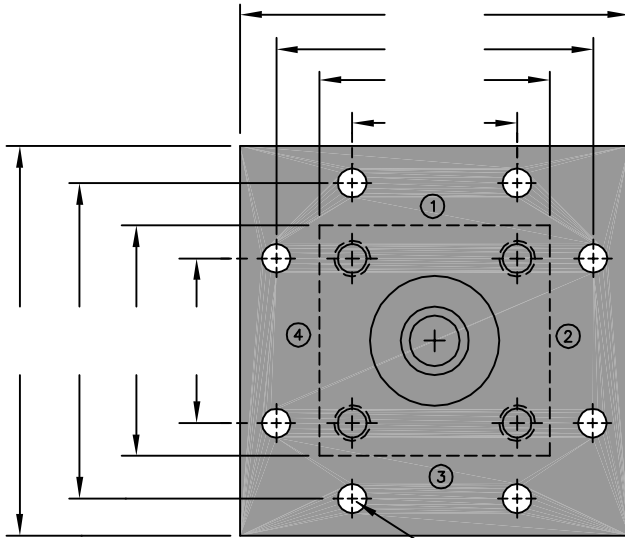
Peninsular Sizing Chart

Cap Square Flange

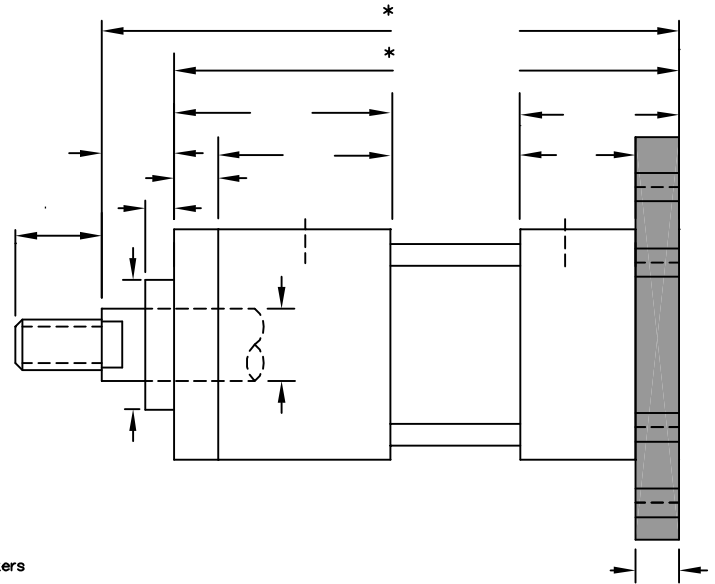
MF6 Mount



Date Submitted: _____
 Name: _____
 Company: _____
 Email: _____
 Phone: _____
 Fax: _____



Indicate Flange Hole Diameters



Above - Fill in Actual Cylinder Dimensions
 Below - Check ALL Applicable Boxes & Provide ALL Information to Best Describe the Cylinder

- Hydraulic Cylinder - High Pressure with Tie Rods
- Hydraulic Cylinder - Low Pressure with Tie Rods
- Hydraulic Cylinder - Welded Type without Tie Rods
- If Hydraulic, Indicate Working Pressure: _____
- If Hydraulic, Indicate Fluid Type: _____
- Air Cylinder - Steel End Caps & Steel Tube with Tie Rods
- Air Cylinder - Aluminum End Caps & Tube with Tie Rods
- Air Cylinder - Aluminum without Tie Rods
- Is the Cylinder NFPA ? Yes or No
- Is the Cylinder Metric ? Yes or No
- Are there Tie Rods on this Cylinder ? Yes or No
- Bore Size: _____ Stroke Length: _____
- Cylinder Tube Material : _____
- Cylinder End Cap Material : _____
- Does this Cylinder Have Proximity Switches? Yes No
- Does the Cylinder Have Cushion(s) ? Yes No

In the Spaces Below, Indicate the Position(s) of Supply Ports & Cushions (if Required) for Both the Front & Rear End Caps. Reference the End Cap Feature Locations Chart Below.

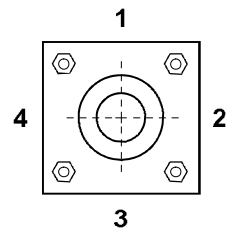
Front End Cap

- Front End Cap - Position #1 _____
- Front End Cap - Position #2 _____
- Front End Cap - Position #3 _____
- Front End Cap - Position #4 _____

Rear End Cap

- Rear End Cap - Position #1 _____
- Rear End Cap - Position #2 _____
- Rear End Cap - Position #3 _____
- Rear End Cap - Position #4 _____

End Cap Feature Locations Chart



Always View the Cylinder Through the Rod End (Head End)

Supply Port Thread Type NPT SAE (O-Ring) Other (Describe): _____ Port Thread Size (Specify): _____
 Piston Rod Diameter: _____ Piston Rod Threads : Male Female Other (Describe) : _____
 Specify Piston Rod Thread Diameter, Pitch & Length (For Example: 3/4" - 16 x 1.125") : _____
 Indicate Existing Cylinders Manufacturer & Model Number : _____

Indicate any other Special Cylinder Features if applicable. If available, provide Sketches, Engineering Drawings and Photographs of the cylinder. If applicable, indicate the Mode of Cylinder Failure, Harsh Environmental Factors, Electronic Positioning Devices or any other Pertinent Information regarding the Existing Cylinder. For any questions, please call Peninsular Inside Sales at 1-800-526-7968.