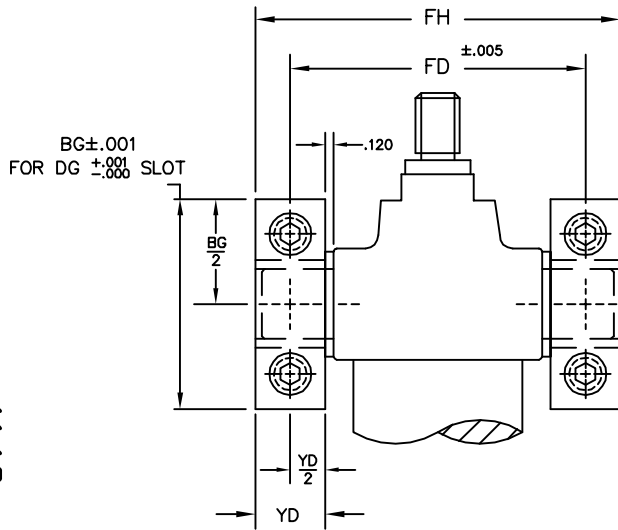
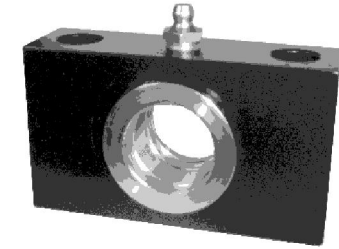


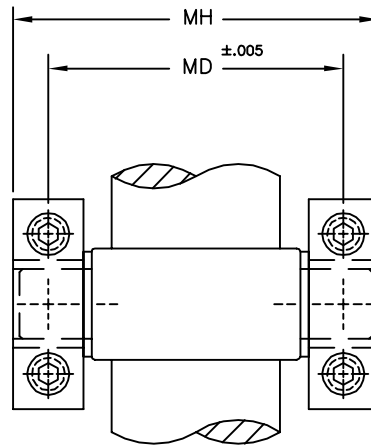
Trunnion Mounting Assembly

Model - 91

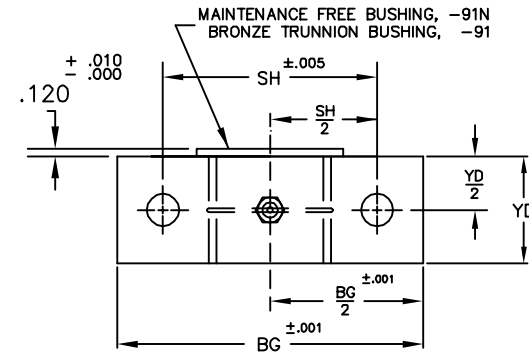
(for pneumatic cylinders only)



FRONT TRUNNION CYLINDER with
(2) TRUNNION MOUNTING ASSEMBLIES

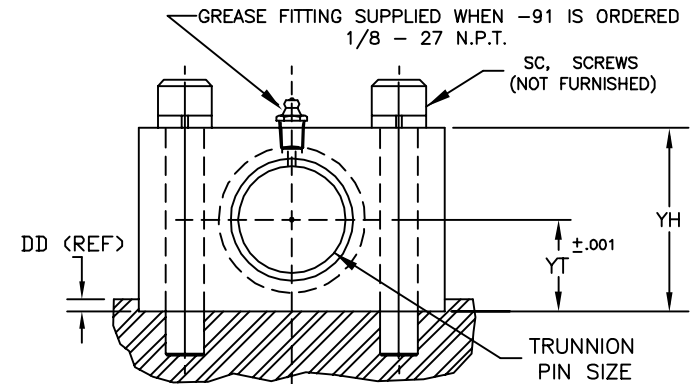


INTERMEDIATE TRUNNION CYLINDER with
(2) TRUNNION MOUNTING ASSEMBLIES



MAINTENANCE FREE BUSHING, -91N
BRONZE TRUNNION BUSHING, -91

DG ±.001 WIDE x DD DEEP
(RECOMMENDED SLOT LENGTH & DEPTH)
(MINIMUM SLOT WIDTH = YD)



If the recommended "DG" x "DD" slot cannot be provided, another suitable means of preventing the Trunnion Assembly from moving with the push/pull forces of the cylinder MUST be utilized. The Trunnion Mounting Assembly should NEVER be rotated 90° from the position in the above drawing, because loosening of the mounting screws will occur as a result of the push/pull cylinder forces.

ORDER NO.	CYL. BORE	PIN SIZE	BG	DD	DG	FD	FH	MD	MH	SC	SH	YD	YH	YT
C1150-91	1.50	1.00	2.998	.125	3.000	3.250	4.25	3.750	4.75	.38	2.000	1.00	2.00	1.000
C1150-91	2.00	1.00	2.998	.125	3.000	3.750	4.75	4.250	5.25	.38	2.000	1.00	2.00	1.000
C1150-91	2.50	1.00	2.998	.125	3.000	4.250	5.75	4.750	5.75	.38	2.000	1.00	2.00	1.000
C1325-91	3.25	1.00	3.498	.125	3.500	5.000	6.00	5.750	6.75	.50	2.500	1.00	2.00	1.000
C1325-91	4.00	1.00	3.498	.125	3.500	5.750	6.75	6.500	7.50	.50	2.500	1.00	2.00	1.000
C1325-91	5.00	1.00	3.498	.125	3.500	6.750	7.75	7.500	8.50	.50	2.500	1.00	2.00	1.000
C1600-91	6.00	1.375	3.998	.188	4.000	8.125	9.50	9.250	10.62	.50	2.875	1.38	2.38	1.188
C1600-91	8.00	1.375	3.998	.188	4.000	10.125	11.50	11.375	12.75	.50	2.875	1.38	2.38	1.188
C11000-91	10.00	1.750	4.998	.250	5.000	12.625	14.38	14.000	15.75	.62	3.500	1.75	3.00	1.500

1.113



27650 Groesbeck Highway
Roseville, Michigan 48066

Phone: (586) 775-7211 Fax: (586) 775-4545
website: www.peninsularcylinders.com
email: sales@peninsularcylinders.com