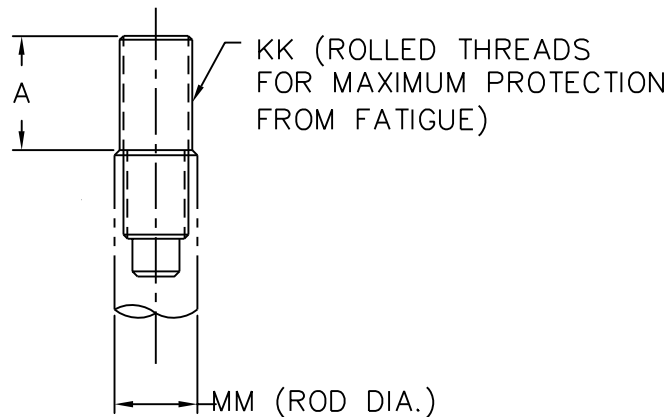


# STANDARD MALE ROD END STUD

(NFPA STYLE SM)  
SPARE PART

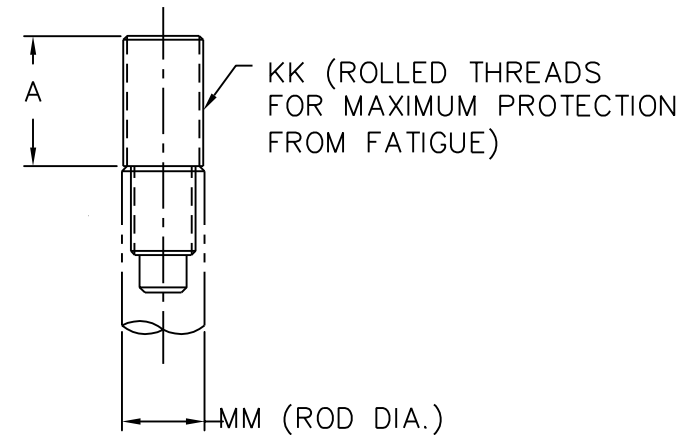


MATERIAL: HIGH STRENGTH STEEL

CYL. BORE	ORDER NO.	A	KK	MM
1.50	C1150-62S	.75	1/2-20	.62
1.50	C1150-62P	.75	5/8-18	.62
1.50	C1150-62G	.75	7/16-20	.62
2.00	C1200-62S	1.12	3/4-16	.88
2.50	C1250-62S	1.12	3/4-16	1.00
3.25	C1250-62S	1.12	3/4-16	1.00
4.00	C1400-62S	1.62	1-14	1.25
5.00	C1400-62S	1.62	1-14	1.25
6.00	C1600-62S	2.00	1 1/4-12	1.75
8.00 10.00	C1800-62S	2.25	1 1/2-12	2.00

# EXTENDED MALE ROD END STUD

SPARE PART



MATERIAL: HIGH STRENGTH STEEL

CYL. BORE	ORDER NO.	A	KK	MM
1.50	C1150-62MS	1.18	1/2-20	.62
1.50	C1150-62MP	1.18	5/8-18	.62
1.50	C1150-62MG	1.18	7/16-20	.62
2.00	C1200-62MS	1.38	3/4-16	.88
2.50	C1250-62MS	1.38	3/4-16	1.00
3.25	C1250-62MS	1.38	3/4-16	1.00
4.00	C1400-62MS	1.75	1-14	1.25
5.00	C1400-62MS	1.75	1-14	1.25



## PENINSULAR® CYLINDER COMPANY

27650 Groesbeck Highway Roseville Michigan 48066-2759 Telephone: 586-775-7211 Fax: 586-775-4545  
Toll Free: 800-526-7968 Internet: <http://www.peninsularcylinders.com> Email: [sales@peninsularcylinders.com](mailto:sales@peninsularcylinders.com)

REV. 14 JAN 2003

