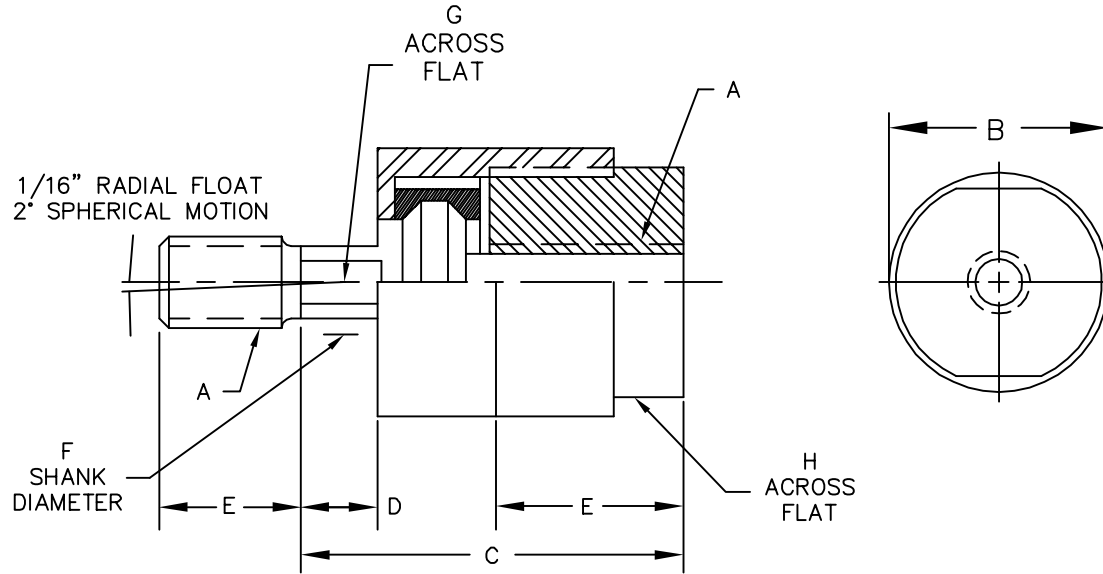


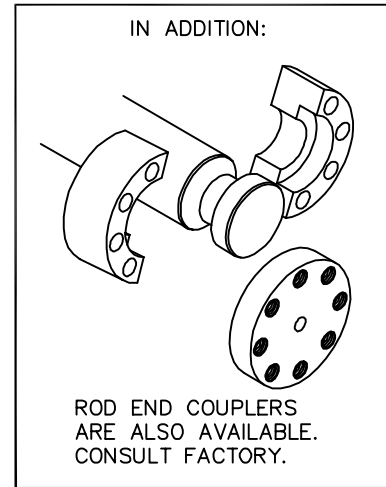
NFPA Rod Alignment Coupler

Model - 79



11.14

PART No.	A	B	C	D	E	F	G	H	MAX. Pull At Yield
C1150-79G	7/16"-20	1.25	2.00	0.50	0.75	0.63	0.56	1.13	10,000
C1150-79	1/2"-20	1.25	2.00	0.50	0.75	0.63	0.56	1.13	14,000
C1150-79P	5/8"-18	1.25	2.00	0.50	0.75	0.63	0.50	1.13	14,000
C1200-79	3/4"-16	1.75	2.31	0.31	1.13	0.97	0.88	1.50	34,000
C1200-79G	7/8"-14	1.75	2.31	0.31	1.13	0.97	0.88	1.50	34,000
C1400-79	1"-14	2.50	2.94	0.50	1.63	1.38	1.25	2.25	64,000
C1600-79	1 1/4"-12	2.50	2.94	0.50	1.63	1.38	1.25	2.25	64,000
C1800-79	1 1/2"-12	3.25	4.38	0.81	2.25	1.75	1.50	3.00	120,000
C1800-79G	1 3/4"-12	3.25	4.38	0.81	2.25	1.75	1.50	3.00	120,000
C1900-79	1 7/8"-12	3.75	5.43	0.69	3.00	2.25	1.88	3.50	240,000
C1801-79	2"-12	3.75	5.43	0.69	3.00	2.25	1.88	3.50	240,000
C1901-79	2 1/4"-12	6.75	6.38	3.25	3.50	2.75	2.38	2.88	397,000
C1902-79	2 1/2"-12	7.00	6.50	4.00	3.50	3.25	2.88	3.38	495,000
C1603-79	3"-12	7.00	6.50	4.00	3.50	3.25	2.88	3.38	723,400
C1904-79	3 1/4"-12	9.25	8.50	5.25	4.50	4.00	3.38	4.50	853,800



**27650 Groesbeck Highway
Roseville, Michigan 48066**

Phone: (586) 775-7211 Fax: (586)775-4545
 website: www.peninsularcylinders.com
 email: sales@peninsularcylinders.com