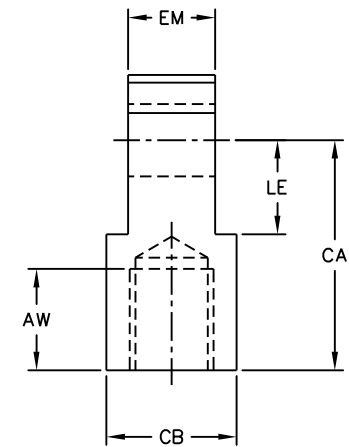
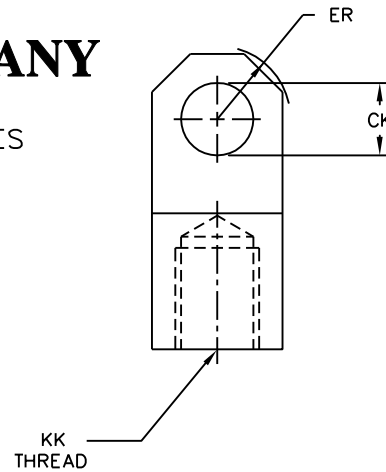


# ROD EYE

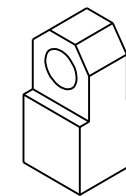
## PENINSULAR<sup>®</sup> CYLINDER COMPANY

METRIC HIGH PRESSURE HYDRAULIC CYLINDER ACCESSORIES  
 LARGE BORE SERIES – ISO 6020-3  
 WORKING PRESSURE – 160 BAR (2320 PSI)  
 RATED PRESSURE – 250 BAR (3625 PSI)



DIMENSIONS IN MILLIMETERS

ORDER NUMBER	TYPICAL BORE DIAMETER	TYPICAL ROD DIAMETER	TYPICAL ROD END THREAD	NOMINAL FORCE (N)	AW (MIN)	CA JS14	CB (MAX)	CK H9	EM H13	ER (MAX)	KK THREAD	LE (MIN)	WEIGHT (KG)
IHP250-65	250	140.0	M100 x 3	800 000	115.0	245.0	180.0	90.0	90.0	100.0	M100 x 3	110.0	-
IHP320-65	320	180.0	M125 x 4	1 250 000	130.0	290.0	220.0	110.0	110.0	120.0	M125 x 4	130.0	-
IHP360-65	360	180.0	M125 x 4	1 600 000	130.0	310.0	250.0	125.0	125.0	140.0	M125 x 4	150.0	-
IHP400-65	400	220.0	M160 x 4	2 000 000	165.0	365.0	280.0	140.0	140.0	160.0	M160 x 4	170.0	-
IHP500-65	500	280.0	M200 x 4	3 200 000	210.0	470.0	360.0	180.0	180.0	200.0	M200 x 4	210.0	-



ACCESSORY MOUNTING DIMENSIONS CONFORM TO ISO 13726

ACCESSORIES ARE DESIGNED FOR, BUT NOT LIMITED TO, ISO 6020-3 HYDRAULIC CYLINDERS