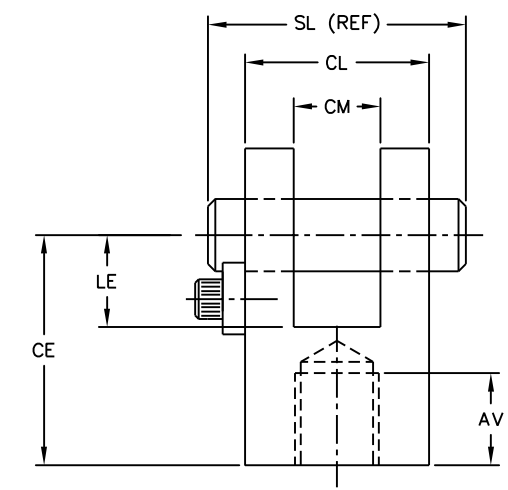
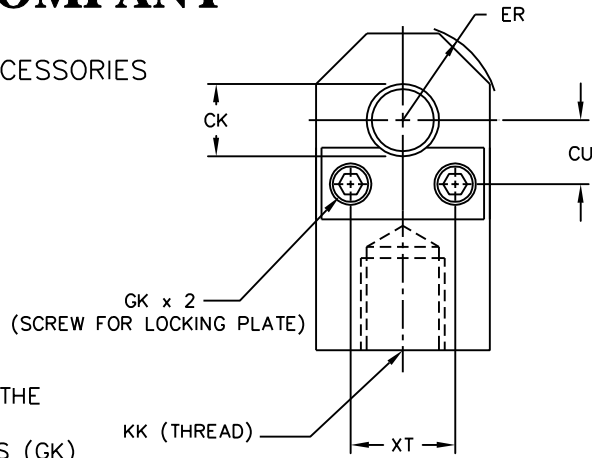


# ROD END CLEVIS - ASSEMBLY

## PENINSULAR<sup>®</sup> CYLINDER COMPANY

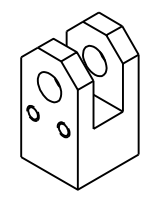
METRIC HIGH PRESSURE HYDRAULIC CYLINDER ACCESSORIES  
 LARGE BORE SERIES – ISO 6020-3  
 WORKING PRESSURE – 160 BAR (2320 PSI)  
 RATED PRESSURE – 250 BAR (3625 PSI)



NOTE: ROD END CLEVIS (-86) WILL BE SUPPLIED WITH THE APPROPRIATE ACCESSORIES AS FOLLOWS:  
 PIVOT PIN (-66L), LOCKING PLATE (-67) & (2) SCREWS (GK)

DIMENSIONS IN MILLIMETERS

ORDER NUMBER	TYPICAL BORE DIAMETER	TYPICAL ROD DIAMETER	TYPICAL ROD END THREAD	NOMINAL FORCE (N)	AV (MIN)	CE JS14	CK H9	CL (MAX)	CM A13	CU JS13	ER (MAX)	GK	KK	LE (MIN)	SL +1.0 -1.0	XT JS13	WEIGHT (KG)
IHP250-86	250	140.0	M100 x 3	800 000	113.0	245.0	90.0	180.0	90.0	56.0	100.0	M12	M100 x 3	115.0	230.0	100.0	-
IHP320-86	320	180.0	M125 x 4	1 250 000	126.0	290.0	110.0	220.0	110.0	66.0	120.0	M12	M125 x 4	130.0	270.0	120.0	-
IHP360-86	360	180.0	M125 x 4	1 600 000	126.0	310.0	125.0	250.0	125.0	72.0	140.0	M14	M125 x 4	150.0	310.0	120.0	-
IHP400-86	400	220.0	M160 x 4	2 000 000	161.0	365.0	140.0	280.0	140.0	77.0	160.0	M14	M160 x 4	165.0	340.0	140.0	-
IHP500-86	500	280.0	M200 x 4	3 200 000	205.0	470.0	180.0	360.0	180.0	92.0	200.0	M16	M200 x 4	210.0	425.0	180.0	-



ACCESSORY MOUNTING DIMENSIONS CONFORM TO ISO 13726

ACCESSORIES ARE DESIGNED FOR, BUT NOT LIMITED TO, ISO 6020-3 HYDRAULIC CYLINDERS