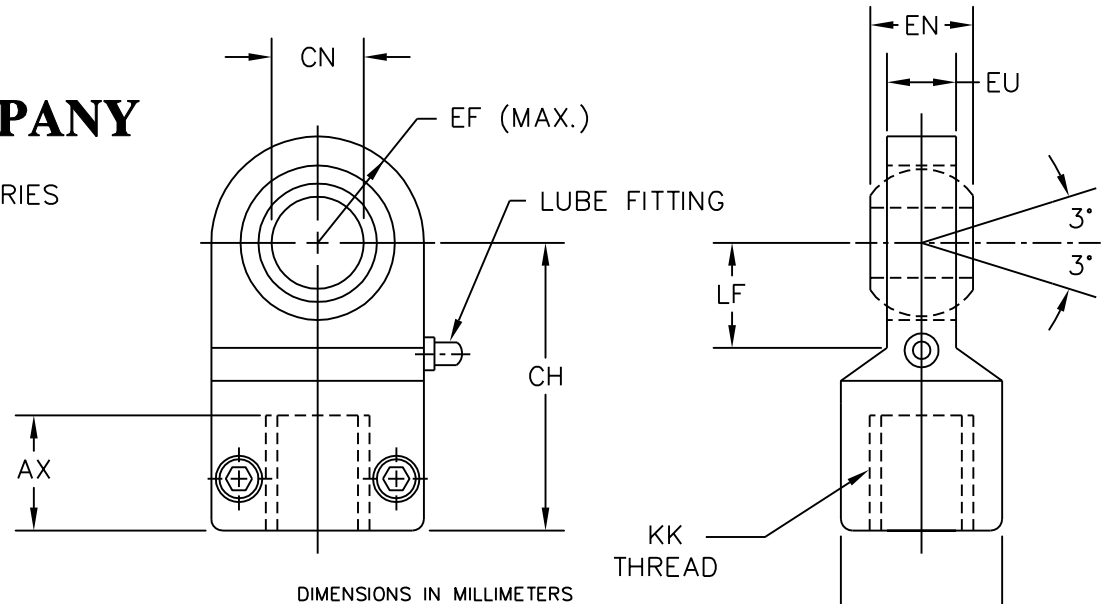


# SPHERICAL ROD EYE

## PENINSULAR<sup>®</sup> CYLINDER COMPANY

METRIC HIGH PRESSURE HYDRAULIC CYLINDER ACCESSORIES  
 SMALL BORE SERIES - ISO 6020-2  
 WORKING PRESSURE - 160 BAR (2320 PSI)  
 RATED PRESSURE - 250 BAR (3625 PSI)



DIMENSIONS IN MILLIMETERS

ORDER NUMBER	TYPICAL BORE DIAMETER	TYPICAL ROD DIAMETER	TYPICAL ROD END THREAD	NOMINAL FORCE (N)	AX (MIN)	CH JS13	CN H7	EF (MAX)	EN H12	EU H13	KK THREAD	LF (MIN)	N (MAX)	WEIGHT (KG)
IHP25-74	25	12.0	M10 x 1.25	8 000	15.0	42.0	12.0	20.0	10.0	8.0	M10 x 1.25	16.0	17.0	0.12
IHP32-74	32	14.0	M12 x 1.25	12 500	17.0	48.0	16.0	22.5	14.0	11.0	M12 x 1.25	20.0	21.0	0.21
IHP40-74	40	18.0	M14 x 1.5	20 000	19.0	58.0	20.0	27.5	16.0	13.0	M14 x 1.5	25.0	25.0	0.38
IHP50-74	50	22.0	M16 x 1.5	32 000	23.0	68.0	25.0	32.5	20.0	17.0	M16 x 1.5	30.0	30.0	0.66
IHP63-74	63	28.0	M20 x 1.5	50 000	29.0	85.0	30.0	40.0	22.0	19.0	M20 x 1.5	35.0	36.0	1.16
IHP80-74	80	36.0	M27 x 2	80 000	37.0	105.0	40.0	50.0	28.0	23.0	M27 x 2	45.0	45.0	2.10
IHP100-74	100	45.0	M33 x 2	125 000	46.0	130.0	50.0	62.5	35.0	30.0	M33 x 2	58.0	55.0	3.85
IHP125-74	125	56.0	M42 x 2	200 000	57.0	150.0	60.0	80.0	44.0	38.0	M42 x 2	68.0	68.0	8.05
IHP160-74	160	70.0	M48 x 2	320 000	64.0	185.0	80.0	102.5	55.0	47.0	M48 x 2	92.0	90.0	19.00
IHP200-74	200	90.0	M64 x 3	500 000	86.0	240.0	100.0	120.0	70.0	57.0	M64 x 3	116.0	110.0	28.00



ACCESSORY MOUNTING DIMENSIONS CONFORM TO ISO 8133

ACCESSORIES ARE DESIGNED FOR, BUT NOT LIMITED TO, ISO 6020-2 HYDRAULIC CYLINDERS