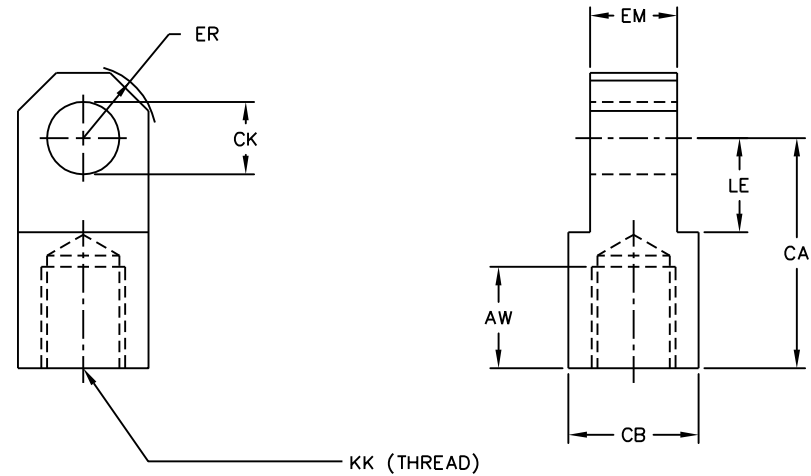


ROD EYE

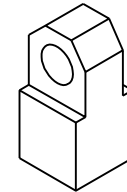
PENINSULAR[®] CYLINDER COMPANY

METRIC HIGH PRESSURE HYDRAULIC CYLINDER ACCESSORIES
 SMALL BORE SERIES – ISO 6020-2
 WORKING PRESSURE – 160 BAR (2320 PSI)
 RATED PRESSURE – 250 BAR (3625 PSI)



DIMENSIONS IN MILLIMETERS

| ORDER NUMBER | TYPICAL BORE DIAMETER | TYPICAL ROD DIAMETER | TYPICAL ROD END THREAD | NOMINAL FORCE (N) | AW (MIN) | CA JS13 | CB (MAX) | CK H9 | EM H13 | ER (MAX) | KK THREAD | LE (MIN) | WEIGHT (KG) |
|--------------|-----------------------|----------------------|------------------------|-------------------|----------|---------|----------|-------|--------|----------|------------|----------|-------------|
| IHP25-65 | 25 | 12.0 | M10 x 1.25 | 8 000 | 14.0 | 32.0 | 18.0 | 10.0 | 12.0 | 12.0 | M10 x 1.25 | 13.0 | 0.08 |
| IHP32-65 | 32 | 14.0 | M12 x 1.25 | 12 500 | 16.0 | 36.0 | 22.0 | 12.0 | 16.0 | 17.0 | M12 x 1.25 | 19.0 | 0.15 |
| IHP40-65 | 40 | 18.0 | M14 x 1.5 | 20 000 | 18.0 | 38.0 | 20.0 | 14.0 | 20.0 | 17.0 | M14 x 1.5 | 19.0 | 0.22 |
| IHP50-65 | 50 | 22.0 | M16 x 1.5 | 32 000 | 22.0 | 54.0 | 30.0 | 20.0 | 30.0 | 29.0 | M16 x 1.5 | 32.0 | 0.5 |
| IHP63-65 | 63 | 28.0 | M20 x 1.5 | 50 000 | 28.0 | 60.0 | 30.0 | 20.0 | 30.0 | 29.0 | M20 x 1.5 | 32.0 | 1.1 |
| IHP80-65 | 80 | 36.0 | M27 x 2 | 80 000 | 36.0 | 75.0 | 40.0 | 28.0 | 40.0 | 34.0 | M27 x 2 | 39.0 | 1.5 |
| IHP100-65 | 100 | 45.0 | M33 x 2 | 125 000 | 45.0 | 99.0 | 50.0 | 36.0 | 50.0 | 50.0 | M33 x 2 | 54.0 | 2.5 |
| IHP125-65 | 125 | 56.0 | M42 x 2 | 200 000 | 56.0 | 113.0 | 65.0 | 45.0 | 60.0 | 53.0 | M42 x 2 | 57.0 | 4.2 |
| IHP160-65 | 160 | 70.0 | M48 x 2 | 320 000 | 63.0 | 126.0 | 90.0 | 56.0 | 70.0 | 59.0 | M48 x 2 | 63.0 | 11.8 |
| IHP200-65 | 200 | 90.0 | M64 x 3 | 500 000 | 85.0 | 168.0 | 110.0 | 70.0 | 80.0 | 78.0 | M64 x 3 | 83.0 | 17.0 |



ACCESSORY MOUNTING DIMENSIONS CONFORM TO ISO 8133

ACCESSORIES ARE DESIGNED FOR, BUT NOT LIMITED TO, ISO 6020-2 HYDRAULIC CYLINDERS