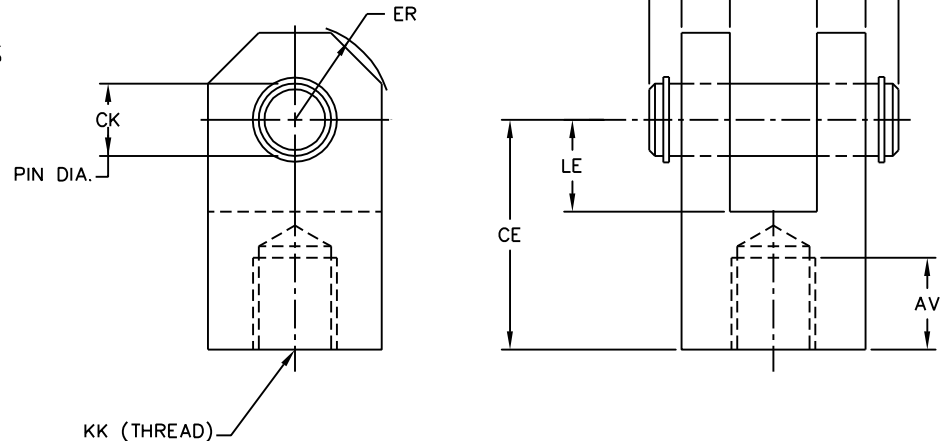


ROD END CLEVIS - ASSEMBLY

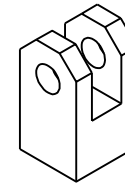
PENINSULAR[®] CYLINDER COMPANY

METRIC HIGH PRESSURE HYDRAULIC CYLINDER ACCESSORIES
 SMALL BORE SERIES - ISO 6020-2
 WORKING PRESSURE - 160 BAR (2320 PSI)
 RATED PRESSURE - 250 BAR (3625 PSI)

NOTE: ROD END CLEVIS (-86) WILL BE SUPPLIED WITH
 THE APPROPRIATE ACCESSORIES AS FOLLOWS:
 PLAIN PIVOT PIN-COTTER PIN TYPE (-66) -OR-
 PLAIN PIVOT PIN-SNAP RING TYPE (-66G)



ORDER NUMBER	TYPICAL BORE DIAMETER	TYPICAL ROD DIAMETER	TYPICAL ROD END THREAD	NOMINAL FORCE (N)	AV (MIN)	CE JS13	CK H9	CL (MAX)	CM A16	ER (MAX)	ET (MAX)	KK THREAD	LE (MIN)	WEIGHT (KG)
IHP25-86	25	12.0	M10 x 1.25	8 000	14.0	32.0	10.0	26.0	12.0	12.0	37.6	M10 x 1.25	13.0	0.08
IHP32-86	32	14.0	M12 x 1.25	12 500	16.0	36.0	12.0	34.0	16.0	17.0	45.6	M12 x 1.25	19.0	0.25
IHP40-86	40	18.0	M14 x 1.5	20 000	18.0	38.0	14.0	42.0	20.0	17.0	53.4	M14 x 1.5	19.0	0.32
IHP50-86	50	22.0	M16 x 1.5	32 000	22.0	54.0	20.0	62.0	30.0	29.0	75.2	M16 x 1.5	32.0	1.0
IHP63-86	63	28.0	M20 x 1.5	50 000	28.0	60.0	20.0	62.0	30.0	29.0	75.2	M20 x 1.5	32.0	1.1
IHP80-86	80	36.0	M27 x 2	80 000	36.0	75.0	28.0	83.0	40.0	34.0	96.9	M27 x 2	39.0	2.3
IHP100-86	100	45.0	M33 x 2	125 000	45.0	99.0	36.0	103.0	50.0	50.0	120.5	M33 x 2	54.0	2.6
IHP125-86	125	56.0	M42 x 2	200 000	56.0	113.0	45.0	123.0	60.0	53.0	144.0	M42 x 2	57.0	5.5
IHP160-86	160	70.0	M48 x 2	320 000	63.0	126.0	56.0	143.0	70.0	59.0	164.6	M48 x 2	63.0	7.6
IHP200-86	200	90.0	M64 x 3	500 000	85.0	168.0	70.0	163.0	80.0	78.0	187.4	M64 x 3	83.0	13.0



ACCESSORY MOUNTING DIMENSIONS CONFORM TO ISO 8133

ACCESSORIES ARE DESIGNED FOR, BUT NOT LIMITED TO, ISO 6020-2 HYDRAULIC CYLINDERS

27650 Groesbeck Highway Roseville Michigan 48066-2759 Telephone: 586-775-7211 Fax: 586-775-4545
 Toll Free: 800-526-7968 Internet: <http://www.peninsularcylinders.com> Email: sales@peninsularcylinders.com

