



27650 Groesbeck Hwy. • Roseville, MI 48066-2759  
1-800-526-7968 • phone: (586) 775-7211 • fax: (586) 775-4545

## PENINSULAR CYLINDER SIZING CHARTS

### TABLE OF CONTENTS

1. HOW TO USE PENINSULAR CYLINDER SIZING CHARTS
2. NO MOUNT – SINGLE ROD - MX0
3. NO MOUNT – DOUBLE ROD - MX0
4. FOOT SIDE LUG – MS2
5. FRONT END LUG – MS7
6. CENTER SIDE LUG – MS3
7. FRONT END ANGLE – MS1
8. REAR CLEVIS – MP1
9. FIXED REAR EYE – MP3
10. REAR SPHERICAL MOUNT – MP5
11. FRONT RECTANGULAR FLANGE – MF1
12. REAR RECTANGULAR FLANGE – MF2
13. FRONT SQUARE FLANGE – MF5
14. REAR SQUARE FLANGE – MF6
15. FRONT BLOCK FLANGE (8”, 10”, 12” BORE ONLY ME3)
16. REAR BLOCK FLANGE (8”, 10”, 12” BORE ONLY ME4)
17. FRONT TRUNNION – MT1
18. INTERMEDIATE TRUNNION – MT4
19. REAR TRUNNION – MT2
20. TIE ROD EXTENDED BOTH ENDS – MX1
21. HEAD TIE RODS EXTENDED – MX3
22. CAP TIE RODS EXTENDED – MX2
23. SIDE TAPPED – MS4
24. WELDED TYPE CYLINDER – SPHERICAL EYE
25. WELDED TYPE CYLINDER – MALE EYE
26. WELDED TYPE CYLINDER – FEMALE CLEVIS
27. WELDED TYPE CYLINDER – NO MOUNT



**PENINSULAR CYLINDER COMPANY**  
27650 Groesbeck Highway. Roseville, MI. 48066-2759  
Ph. (586) 775-7211 Fax (586) 775-4545  
[www.peninsularcylinders.com](http://www.peninsularcylinders.com) or  
[sales@peninsularcylinders.com](mailto:sales@peninsularcylinders.com)



27650 Groesbeck Hwy. • Roseville, MI 48066-2759  
1-800-526-7968 • phone: (586) 775-7211 • fax: (586) 775-4545

## HOW TO USE PENINSULAR CYLINDER SIZING CHARTS

### Enclosed are Master copies of our Cylinder Sizing Charts

These sizing charts are to be used when a Sales Representative, Customer or a Service Person in the field is in need of interchanging a *non-standard* Air or Hydraulic Cylinder built by another cylinder manufacturer. Due to the fact that *non-standard* cylinders are not covered by NFPA or ISO standards and various manufacturers build to their own “standards”, Peninsular has designed sizing charts to aid in the interchange process. By submitting the information contained on the enclosed charts, Peninsular will have the necessary information to correctly quote and produce the replacement cylinder.

The steps necessary to accomplish this translation are as follows.

1. Identify the mounting style of the cylinder in question or use the *basic* cylinder template (No Mount-MX0) to design your own cylinder.
2. Make a *copy* of the chart containing the mounting style and supply all dimensions and information as requested on the reproduced copy.
3. Fax your completed chart to Peninsular Cylinder Company...  
Attention: Customer Service at Fax Number (586) 775-4545 and place the original blank chart back into the Sizing Chart Book.

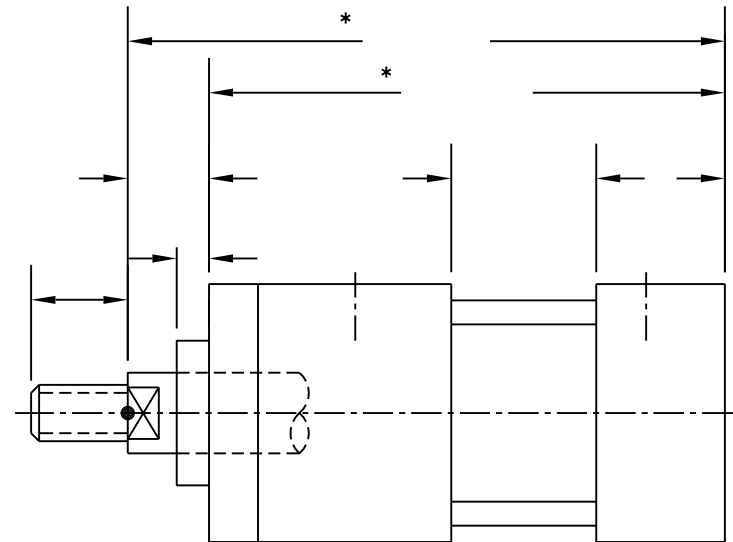
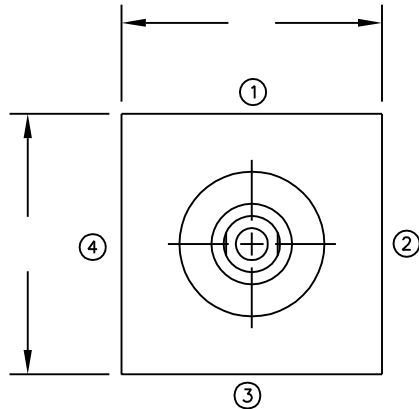
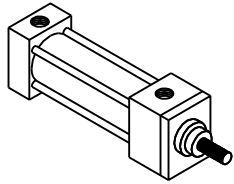
If a page is missing from the set of cylinder sizing charts please call us toll free at (800) 526-7968 or (586) 775-7211 and we will send you a new copy by fax or email. Please remember not to write on the original copy.



**PENINSULAR CYLINDER COMPANY**  
27650 Groesbeck Highway. Roseville, MI. 48066-2759  
Ph. (586) 775-7211 Fax (586) 775-4545  
[www.peninsularcylinders.com](http://www.peninsularcylinders.com) or  
[sales@peninsularcylinders.com](mailto:sales@peninsularcylinders.com)

# PENINSULAR CYLINDER SIZING CHART

## NO MOUNT (MX0)



NFPA CYLINDER  OR METRIC CYLINDER  AIR CYLINDER  LOW PRESSURE HYDRAULIC CYLINDER  HIGH PRESSURE HYDRAULIC CYLINDER

IF HYDRAULIC BOX IS CHECKED, INDICATE WORKING PRESSURE: \_\_\_\_\_

PROXIMITY SWITCH READY CYLINDER END CAPS REQUIRED? YES  NO

ARE THERE TIE RODS ON THIS CYLINDER? YES  NO  BORE SIZE: \_\_\_\_\_ STROKE LENGTH: \_\_\_\_\_

SLEEVE (TUBE) MATERIAL: STEEL  ALUMINUM  FIBERGLASS  OTHER  PISTON ROD. DIAMETER: \_\_\_\_\_

CYLINDER HEADS: STEEL  ALUMINUM  OTHER

PISTON ROD THREADS: MALE  FEMALE  OTHER  / SPECIFY THREAD PITCH (IE: 3/4"-16 x 1.125) \_\_\_\_\_

CUSHIONS: YES  NO  / IF YES:  ROD END ONLY  CAP END ONLY  CUSHION AT BOTH ENDS

IF CUSHIONS ARE REQUIRED INDICATE END CAP SIDE LOCATION OF THE CUSHION ADJUSTMENT SCREW AT ONE OR BOTH ENDS OF CYLINDER ENDS:

INDICATE PORT(S) THREAD SIZE: \_\_\_\_\_ CUSHION ADJUSTMENT SCREW SIDE LOCATION (1, 2, 3 OR 4): \_\_\_\_\_

INDICATE END CAP SIDE LOCATION(S) FOR CYLINDER PORTS: \_\_\_\_\_

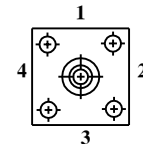
INDICATE EXISTING CYLINDER MANUFACTURER & MODEL NUMBER IF KNOWN: \_\_\_\_\_

IDENTIFY ALL PERTINENT INFORMATION ON EXISTING CYLINDER TAG: \_\_\_\_\_

IF NECESSARY, ATTACH DRAWINGS, SKETCHES OR PHOTOGRAPHS TO PROVIDE ADDITIONAL DETAIL REGARDING YOUR CYLINDER AND/OR APPLICATION

ANY QUESTIONS? CALL PENINSULAR AT 1-800-526-7968 OR (586) 775-7211

**\*-ADD STROKE TO THESE DIMENSIONS.**



-FEATURE LOCATION KEY-  
(VIEWED FACING ROD END.)

27650 Groesbeck Highway Roseville Michigan 48066-2759 Telephone: 586-775-7211 Fax: 586-775-4545  
Toll Free: 1-800-526-7968 Internet: www.peninsularcylinders.com Email: sales@peninsularcylinders.com

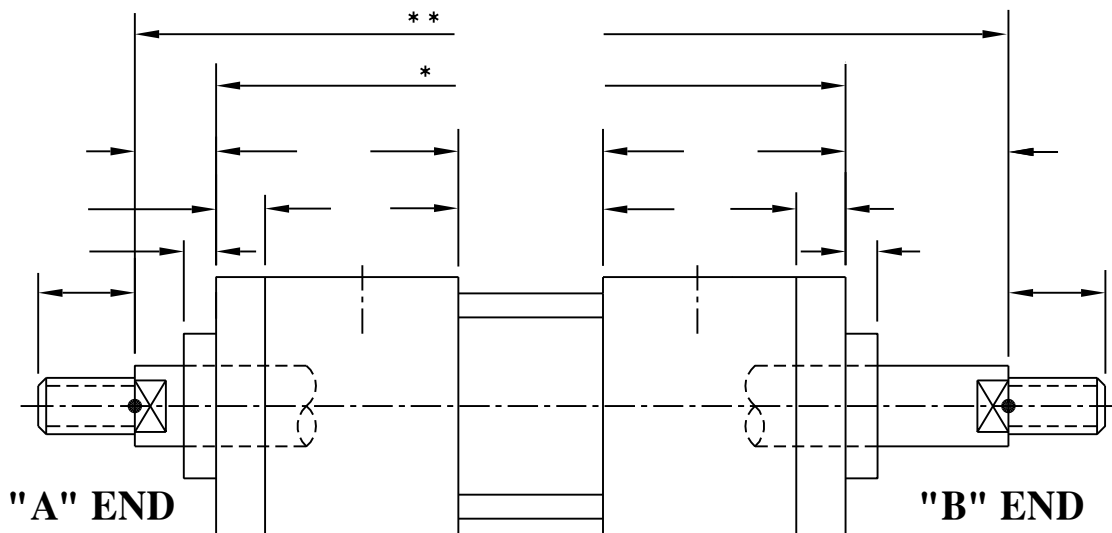
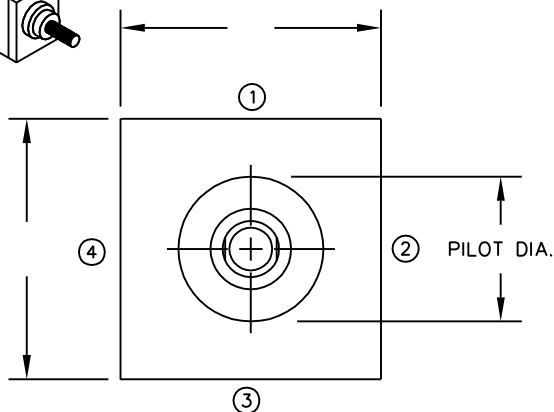
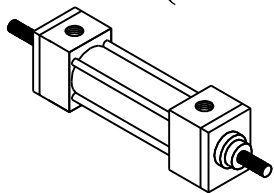
MEMBER  
NFPA



REL. 05-28-03

# NO MOUNT DOUBLE ROD (MX0)

# PENINSULAR CYLINDER SIZING CHART



CYLINDER SHOWN WITH "A" END PISTON ROD RETRACTED

NFPA CYLINDER  OR METRIC CYLINDER  AIR CYLINDER  LOW PRESSURE HYDRAULIC CYLINDER  HIGH PRESSURE HYDRAULIC CYLINDER   
 IF HYDRAULIC BOX IS CHECKED, INDICATE WORKING PRESSURE: \_\_\_\_\_ MOUNTING STYLE REQUIRED: \_\_\_\_\_ DUAL MOUNT REQUIRED?: \_\_\_\_\_

PROXIMITY SWITCH READY CYLINDER END CAPS REQUIRED? YES  NO

ARE THERE TIE RODS ON THIS CYLINDER? YES  NO  BORE SIZE: \_\_\_\_\_ STROKE LENGTH: \_\_\_\_\_

SLEEVE (TUBE) MATERIAL: STEEL  ALUMINUM  FIBERGLASS  OTHER  PISTON ROD DIAMETER ("A" END): \_\_\_\_\_

CYLINDER HEADS: STEEL  ALUMINUM  OTHER  PISTON ROD DIAMETER ("B" END): \_\_\_\_\_

PISTON ROD THREADS ("A" END): MALE  FEMALE  OTHER  / SPECIFY THREAD PITCH & LENGTH (IE: 3/4"-16 x 1.125) \_\_\_\_\_

PISTON ROD THREADS ("B" END): MALE  FEMALE  OTHER  / SPECIFY THREAD PITCH & LENGTH (IE: 3/4"-16 x 1.125) \_\_\_\_\_

CUSHIONS: YES  NO  / IF YES (CHECK BELOW):  
 ROD END ONLY  CAP END ONLY  CUSHION AT BOTH ENDS

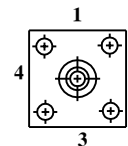
IF CUSHIONS ARE REQUIRED, INDICATE END CAP SIDE LOCATION(S) OF THE CUSHION ADJUSTMENT SCREW AT ONE OR BOTH ENDS OF CYLINDER(BELOW):

INDICATE PORT(S) THREAD SIZE: \_\_\_\_\_ CUSHION ADJUSTMENT SCREW SIDE LOCATION (1, 2, 3 OR 4): \_\_\_\_\_

INDICATE END CAP SIDE LOCATION(S) FOR CYLINDER PORTS: \_\_\_\_\_

INDICATE EXISTING CYLINDER MANUFACTURER & MODEL NUMBER IF KNOWN: \_\_\_\_\_

IDENTIFY ALL PERTINENT INFORMATION ON EXISTING CYLINDER TAG: \_\_\_\_\_



-FEATURE LOCATION KEY-  
(VIEWED FACING "A" ROD END.)

IF NECESSARY, ATTACH DRAWINGS, SKETCHES OR PHOTOGRAPHS TO PROVIDE ADDITIONAL DETAIL REGARDING YOUR CYLINDER AND/OR APPLICATION

ANY QUESTIONS? CALL PENINSULAR AT 1-800-526-7968 OR (586) 775-7211

\*-ADD STROKE TO THESE DIMENSIONS

\*\* -ADD 2x STROKE TO THESE DIMENSIONS

27650 Groesbeck Highway Roseville Michigan 48066-2759 Telephone: 586-775-7211 Fax: 586-775-4545  
 Toll Free: 1-800-526-7968 Internet: www.peninsularcylinders.com Email: sales@peninsularcylinders.com

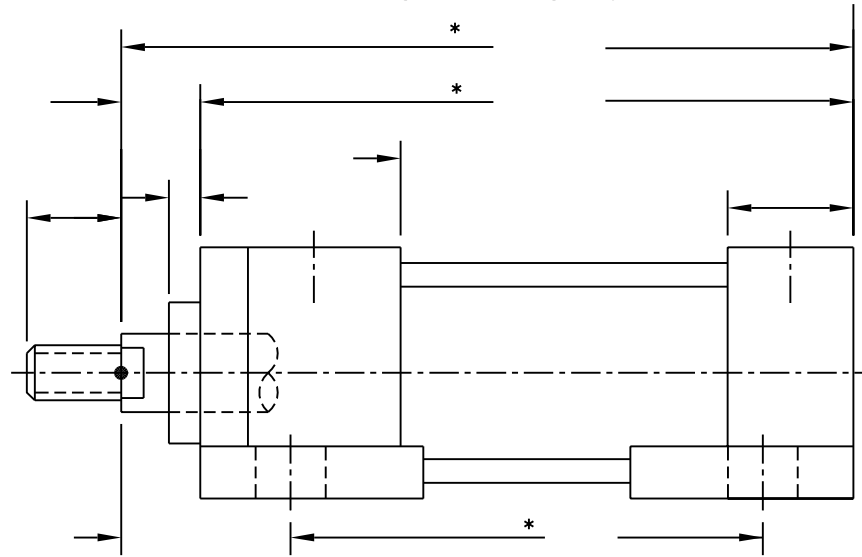
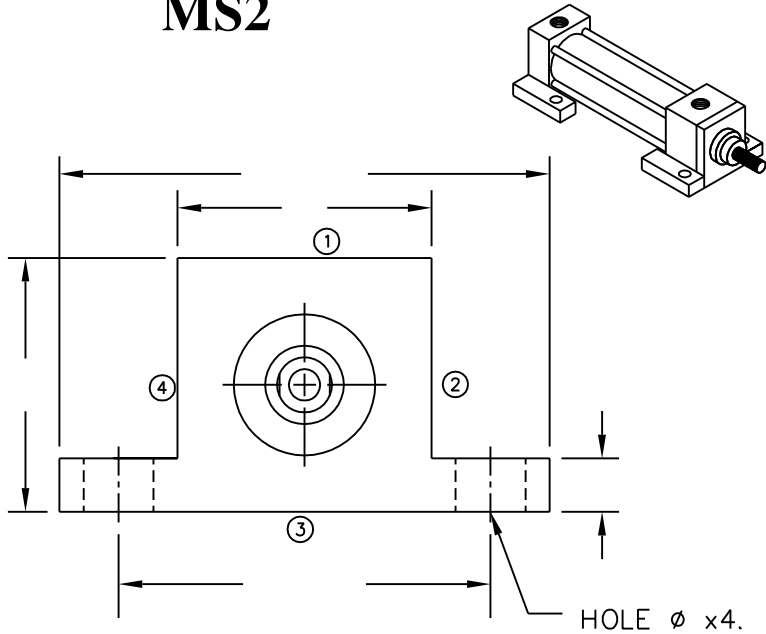
MEMBER  
NFPA



REL. 05-28-03

# FOOT SIDE LUG MS2

# PENINSULAR CYLINDER SIZING CHART



NFPA CYLINDER  OR METRIC CYLINDER  AIR CYLINDER  LOW PRESSURE HYDRAULIC CYLINDER  HIGH PRESSURE HYDRAULIC CYLINDER

IF HYDRAULIC BOX IS CHECKED, INDICATE WORKING PRESSURE: \_\_\_\_\_

PROXIMITY SWITCH READY CYLINDER END CAPS REQUIRED? YES  NO

ARE THERE TIE RODS ON THIS CYLINDER? YES  NO  BORE SIZE: \_\_\_\_\_ STROKE LENGTH: \_\_\_\_\_

SLEEVE (TUBE) MATERIAL: STEEL  ALUMINUM  FIBERGLASS  OTHER  PISTON ROD. DIAMETER: \_\_\_\_\_

CYLINDER HEADS: STEEL  ALUMINUM  OTHER

PISTON ROD THREADS: MALE  FEMALE  OTHER  / SPECIFY THREAD PITCH (IE: 3/4"-16 x 1.125) \_\_\_\_\_

CUSHIONS: YES  NO  / IF YES:  ROD END ONLY  
 CAP END ONLY  
 CUSHION AT BOTH ENDS

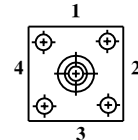
IF CUSHIONS ARE REQUIRED INDICATE END CAP SIDE  
 LOCATION OF THE CUSHION ADJUSTMENT SCREW  
 AT ONE OR BOTH ENDS OF CYLINDER ENDS:

INDICATE PORT(S) THREAD SIZE: \_\_\_\_\_ CUSHION ADJUSTMENT SCREW SIDE LOCATION (1, 2, 3 OR 4): \_\_\_\_\_

INDICATE END CAP SIDE LOCATION(S) FOR CYLINDER PORTS: \_\_\_\_\_

INDICATE EXISTING CYLINDER MANUFACTURER & MODEL NUMBER IF KNOWN: \_\_\_\_\_

IDENTIFY ALL PERTINENT INFORMATION ON EXISTING CYLINDER TAG: \_\_\_\_\_



-FEATURE LOCATION KEY-  
(VIEWED FACING ROD END.)

IF NECESSARY, ATTACH DRAWINGS, SKETCHES OR PHOTOGRAPHS TO PROVIDE ADDITIONAL DETAIL REGARDING YOUR CYLINDER AND/OR APPLICATION  
 ANY QUESTIONS? CALL PENINSULAR AT 1-800-526-7968 OR (586) 775-7211

**\*-ADD STROKE TO THESE DIMENSIONS.**

27650 Groesbeck Highway Roseville Michigan 48066-2759 Telephone: 586-775-7211 Fax: 586-775-4545  
 Toll Free: 1-800-526-7968 Internet: www.peninsularcylinders.com Email: sales@peninsularcylinders.com

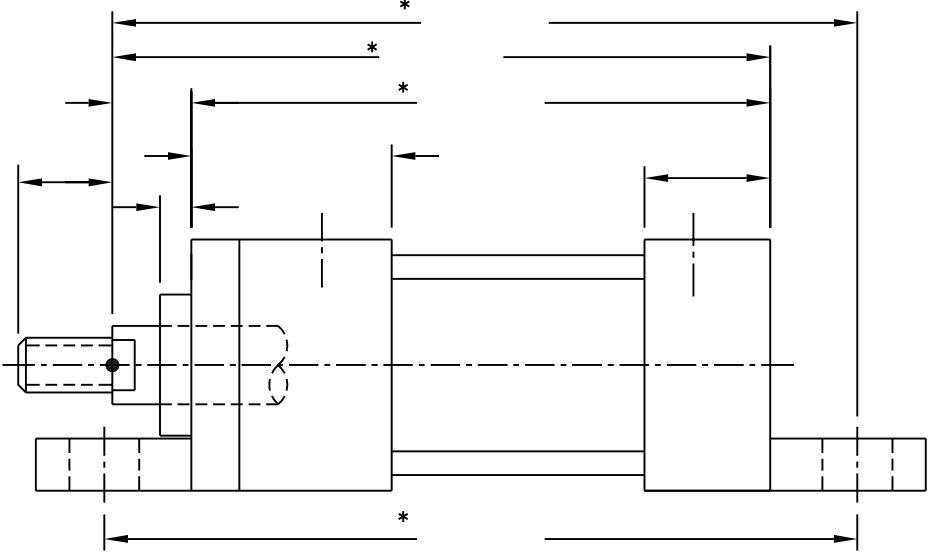
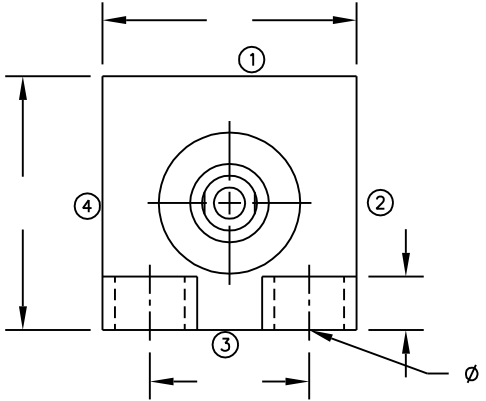
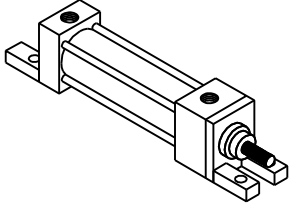
MEMBER  
NFPA



REL. 05-28-03

# PENINSULAR CYLINDER SIZING CHART

## FRONT END LUG MS7



NFPA CYLINDER  OR METRIC CYLINDER  AIR CYLINDER  LOW PRESSURE HYDRAULIC CYLINDER  HIGH PRESSURE HYDRAULIC CYLINDER

IF HYDRAULIC BOX IS CHECKED, INDICATE WORKING PRESSURE: \_\_\_\_\_

PROXIMITY SWITCH READY CYLINDER END CAPS REQUIRED? YES  NO

ARE THERE TIE RODS ON THIS CYLINDER? YES  NO  BORE SIZE: \_\_\_\_\_ STROKE LENGTH: \_\_\_\_\_

SLEEVE (TUBE) MATERIAL: STEEL  ALUMINUM  FIBERGLASS  OTHER  PISTON ROD. DIAMETER: \_\_\_\_\_

CYLINDER HEADS: STEEL  ALUMINUM  OTHER

PISTON ROD THREADS: MALE  FEMALE  OTHER  / SPECIFY THREAD PITCH (IE: 3/4"-16 x 1.125) \_\_\_\_\_

CUSHIONS: YES  NO  / IF YES:  ROD END ONLY  CAP END ONLY  CUSHION AT BOTH ENDS

IF CUSHIONS ARE REQUIRED INDICATE END CAP SIDE LOCATION OF THE CUSHION ADJUSTMENT SCREW AT ONE OR BOTH ENDS OF CYLINDER ENDS:

INDICATE PORT(S) THREAD SIZE: \_\_\_\_\_ CUSHION ADJUSTMENT SCREW SIDE LOCATION (1, 2, 3 OR 4): \_\_\_\_\_

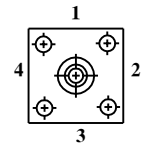
INDICATE END CAP SIDE LOCATION(S) FOR CYLINDER PORTS: \_\_\_\_\_

INDICATE EXISTING CYLINDER MANUFACTURER & MODEL NUMBER IF KNOWN: \_\_\_\_\_

IDENTIFY ALL PERTINENT INFORMATION ON EXISTING CYLINDER TAG: \_\_\_\_\_

IF NECESSARY, ATTACH DRAWINGS, SKETCHES OR PHOTOGRAPHS TO PROVIDE ADDITIONAL DETAIL REGARDING YOUR CYLINDER AND/OR APPLICATION  
ANY QUESTIONS? CALL PENINSULAR AT 1-800-526-7968 OR (586) 775-7211

\*-ADD STROKE TO THESE DIMENSIONS.



-FEATURE LOCATION KEY-  
(VIEWED FACING ROD END.)

27650 Groesbeck Highway Roseville Michigan 48066-2759 Telephone: 586-775-7211 Fax: 586-775-4545  
Toll Free: 1-800-526-7968 Internet: www.peninsularcylinders.com Email: sales@peninsularcylinders.com

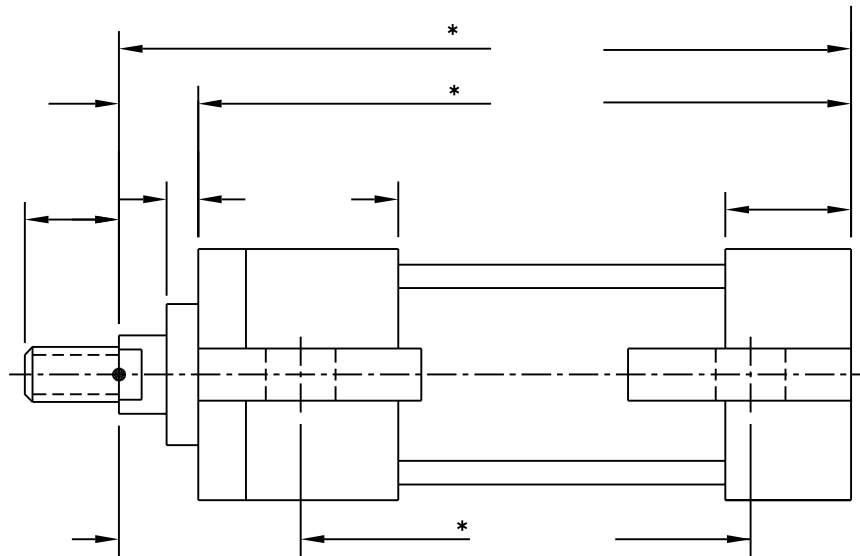
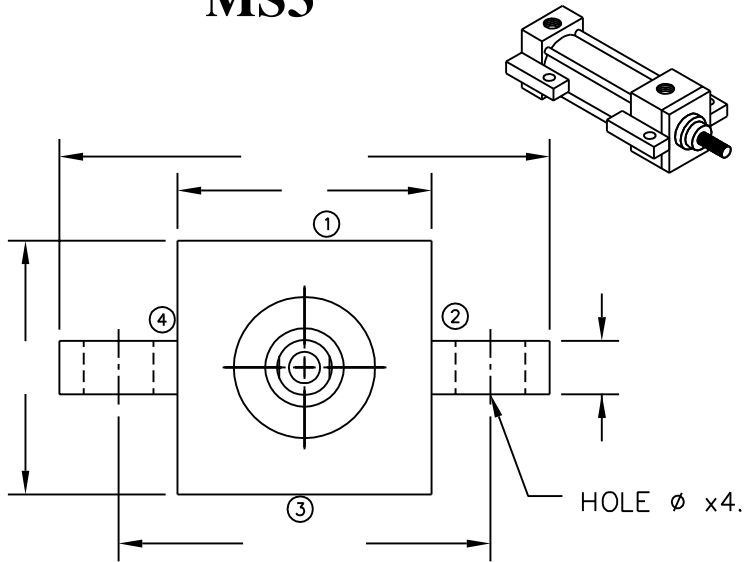
MEMBER  
NFPA



REL. 05-28-03

# CENTER SIDE LUG MS3

# PENINSULAR CYLINDER SIZING CHART



NFPA CYLINDER  OR METRIC CYLINDER  AIR CYLINDER  LOW PRESSURE HYDRAULIC CYLINDER  HIGH PRESSURE HYDRAULIC CYLINDER

IF HYDRAULIC BOX IS CHECKED, INDICATE WORKING PRESSURE. \_\_\_\_\_

PROXIMITY SWITCH READY CYLINDER END CAPS REQUIRED? YES  NO

ARE THERE TIE RODS ON THIS CYLINDER? YES  NO  BORE SIZE: \_\_\_\_\_ STROKE LENGTH: \_\_\_\_\_

SLEEVE (TUBE) MATERIAL: STEEL  ALUMINUM  FIBERGLASS  OTHER  PISTON ROD. DIAMETER: \_\_\_\_\_

CYLINDER HEADS: STEEL  ALUMINUM  OTHER

PISTON ROD THREADS: MALE  FEMALE  OTHER  / SPECIFY THREAD PITCH (IE: 3/4"-16 x 1.125) \_\_\_\_\_

CUSHIONS: YES  NO  / IF YES:  ROD END ONLY  
 CAP END ONLY  
 CUSHION AT BOTH ENDS

IF CUSHIONS ARE REQUIRED INDICATE END CAP SIDE  
 LOCATION OF THE CUSHION ADJUSTMENT SCREW  
 AT ONE OR BOTH ENDS OF CYLINDER ENDS:

INDICATE PORT(S) THREAD SIZE: \_\_\_\_\_ CUSHION ADJUSTMENT SCREW SIDE LOCATION (1, 2, 3 OR 4): \_\_\_\_\_

INDICATE END CAP SIDE LOCATION(S) FOR CYLINDER PORTS: \_\_\_\_\_

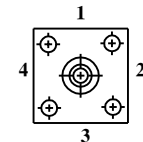
INDICATE EXISTING CYLINDER MANUFACTURER & MODEL NUMBER IF KNOWN: \_\_\_\_\_

IDENTIFY ALL PERTINENT INFORMATION ON EXISTING CYLINDER TAG: \_\_\_\_\_

IF NECESSARY, ATTACH DRAWINGS, SKETCHES OR PHOTOGRAPHS TO PROVIDE ADDITIONAL DETAIL REGARDING YOUR CYLINDER AND/OR APPLICATION

ANY QUESTIONS? CALL PENINSULAR AT 1-800-526-7968 OR (586) 775-7211

**\*-ADD STROKE TO THESE DIMENSIONS.**



-FEATURE LOCATION KEY-  
(VIEWED FACING ROD END.)

27650 Groesbeck Highway Roseville Michigan 48066-2759 Telephone: 586-775-7211 Fax: 586-775-4545  
 Toll Free: 1-800-526-7968 Internet: www.peninsularcylinders.com Email: sales@peninsularcylinders.com

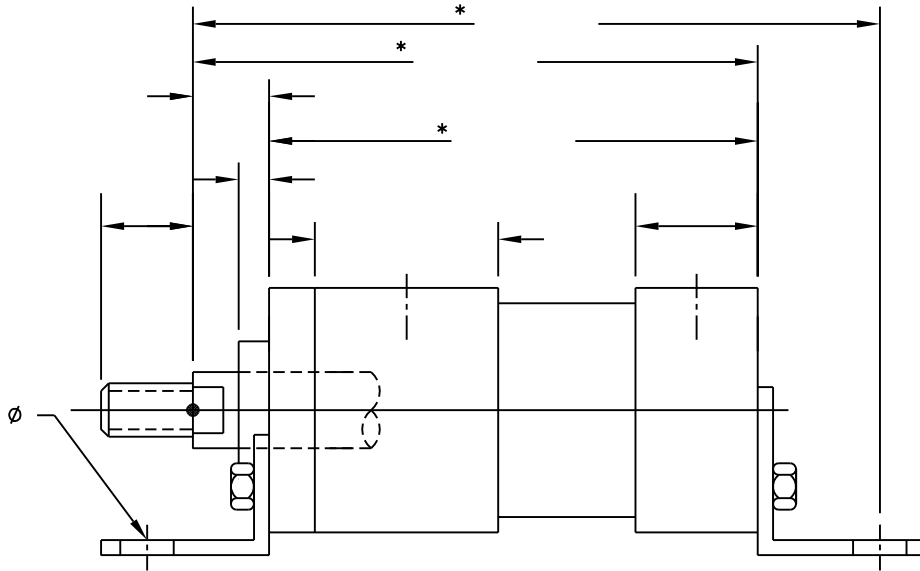
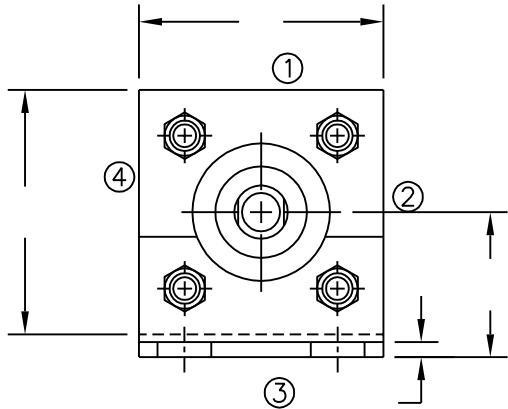
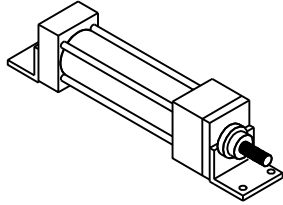
MEMBER  
NFPA



REL. 05-28-03

# PENINSULAR CYLINDER SIZING CHART

## FRONT END ANGLE MS1



NFPA CYLINDER  OR METRIC CYLINDER  AIR CYLINDER  LOW PRESSURE HYDRAULIC CYLINDER  HIGH PRESSURE HYDRAULIC CYLINDER

IF HYDRAULIC BOX IS CHECKED, INDICATE WORKING PRESSURE: \_\_\_\_\_

PROXIMITY SWITCH READY CYLINDER END CAPS REQUIRED? YES  NO

ARE THERE TIE RODS ON THIS CYLINDER? YES  NO  BORE SIZE: \_\_\_\_\_ STROKE LENGTH: \_\_\_\_\_

SLEEVE (TUBE) MATERIAL: STEEL  ALUMINUM  FIBERGLASS  OTHER  PISTON ROD. DIAMETER: \_\_\_\_\_

CYLINDER HEADS: STEEL  ALUMINUM  OTHER

PISTON ROD THREADS: MALE  FEMALE  OTHER  / SPECIFY THREAD PITCH (IE: 3/4"-16 x 1.125) \_\_\_\_\_

CUSHIONS: YES  NO  / IF YES:  ROD END ONLY  CAP END ONLY  CUSHION AT BOTH ENDS

IF CUSHIONS ARE REQUIRED INDICATE END CAP SIDE LOCATION OF THE CUSHION ADJUSTMENT SCREW AT ONE OR BOTH ENDS OF CYLINDER ENDS:

INDICATE PORT(S) THREAD SIZE: \_\_\_\_\_ CUSHION ADJUSTMENT SCREW SIDE LOCATION (1, 2, 3 OR 4): \_\_\_\_\_

INDICATE END CAP SIDE LOCATION(S) FOR CYLINDER PORTS: \_\_\_\_\_

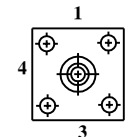
INDICATE EXISTING CYLINDER MANUFACTURER & MODEL NUMBER IF KNOWN: \_\_\_\_\_

IDENTIFY ALL PERTINENT INFORMATION ON EXISTING CYLINDER TAG: \_\_\_\_\_

IF NECESSARY, ATTACH DRAWINGS, SKETCHES OR PHOTOGRAPHS TO PROVIDE ADDITIONAL DETAIL REGARDING YOUR CYLINDER AND/OR APPLICATION

ANY QUESTIONS? CALL PENINSULAR AT 1-800-526-7968 OR (586) 775-7211

**\*-ADD STROKE TO THESE DIMENSIONS.**



-FEATURE LOCATION KEY-  
(VIEWED FACING ROD END.)

27650 Groesbeck Highway Roseville Michigan 48066-2759 Telephone: 586-775-7211 Fax: 586-775-4545  
Toll Free: 1-800-526-7968 Internet: www.peninsularcylinders.com Email: sales@peninsularcylinders.com

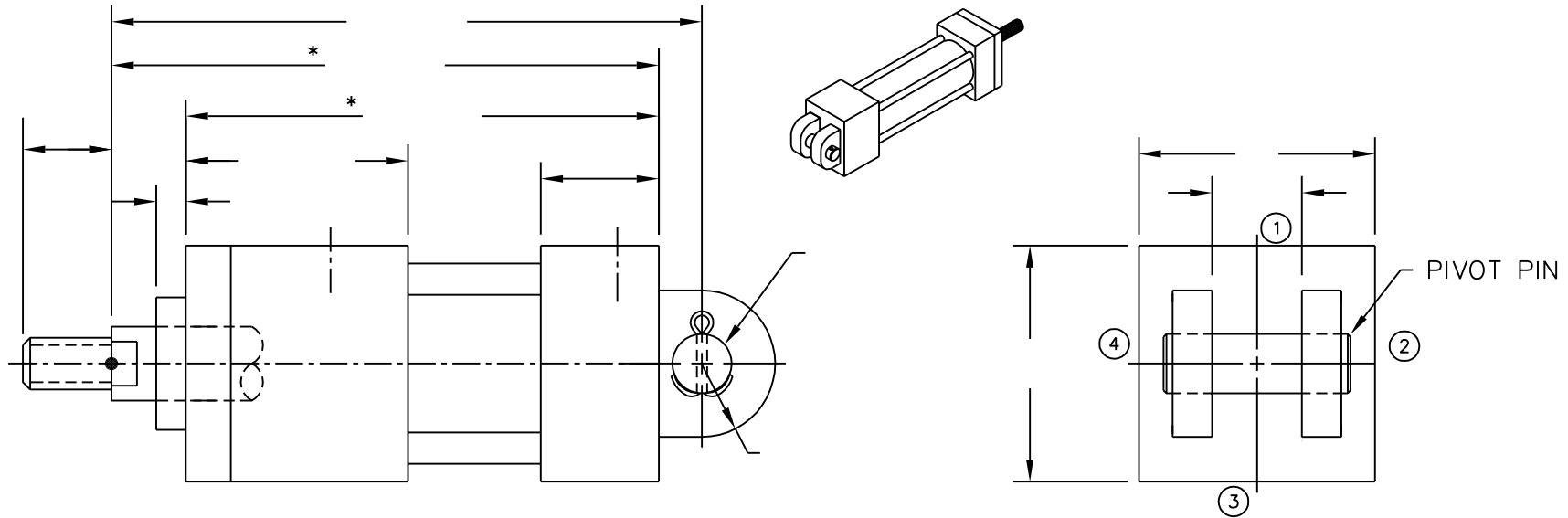
MEMBER  
NFPA



REL. 05-28-03

# REAR CLEVIS (MP1)

# PENINSULAR CYLINDER SIZING CHART



NFPA CYLINDER  OR METRIC CYLINDER  AIR CYLINDER  LOW PRESSURE HYDRAULIC CYLINDER  HIGH PRESSURE HYDRAULIC CYLINDER

IF HYDRAULIC BOX IS CHECKED, INDICATE WORKING PRESSURE: \_\_\_\_\_

PROXIMITY SWITCH READY CYLINDER END CAPS REQUIRED? YES  NO

ARE THERE TIE RODS ON THIS CYLINDER? YES  NO  BORE SIZE: \_\_\_\_\_ STROKE LENGTH: \_\_\_\_\_

SLEEVE (TUBE) MATERIAL: STEEL  ALUMINUM  FIBERGLASS  OTHER  PISTON ROD. DIAMETER: \_\_\_\_\_

CYLINDER HEADS: STEEL  ALUMINUM  OTHER

PISTON ROD THREADS: MALE  FEMALE  OTHER  / SPECIFY THREAD PITCH (IE: 3/4"-16 x 1.125) \_\_\_\_\_

CUSHIONS: YES  NO  / IF YES:  ROD END ONLY  CAP END ONLY  CUSHION AT BOTH ENDS

IF CUSHIONS ARE REQUIRED INDICATE END CAP SIDE LOCATION OF THE CUSHION ADJUSTMENT SCREW AT ONE OR BOTH ENDS OF CYLINDER ENDS:

INDICATE PORT(S) THREAD SIZE: \_\_\_\_\_ CUSHION ADJUSTMENT SCREW SIDE LOCATION (1, 2, 3 OR 4): \_\_\_\_\_

INDICATE END CAP SIDE LOCATION(S) FOR CYLINDER PORTS: \_\_\_\_\_

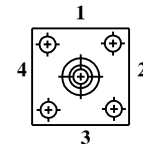
INDICATE EXISTING CYLINDER MANUFACTURER & MODEL NUMBER IF KNOWN: \_\_\_\_\_

IDENTIFY ALL PERTINENT INFORMATION ON EXISTING CYLINDER TAG: \_\_\_\_\_

IF NECESSARY, ATTACH DRAWINGS, SKETCHES OR PHOTOGRAPHS TO PROVIDE ADDITIONAL DETAIL REGARDING YOUR CYLINDER AND/OR APPLICATION

ANY QUESTIONS? CALL PENINSULAR AT 1-800-526-7968 OR (586) 775-7211

**\*-ADD STROKE TO THESE DIMENSIONS.**



-FEATURE LOCATION KEY- (VIEWED FACING ROD END.)

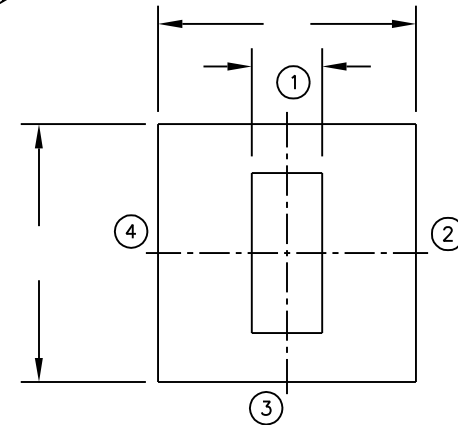
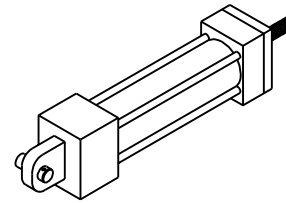
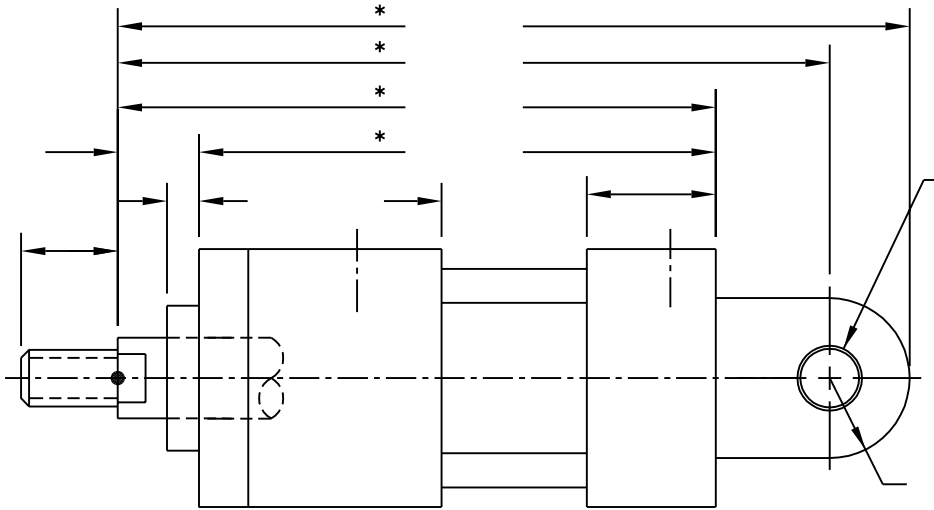
27650 Groesbeck Highway Roseville Michigan 48066-2759 Telephone: 586-775-7211 Fax: 586-775-4545  
 Toll Free: 1-800-526-7968 Internet: www.peninsularcylinders.com Email: sales@peninsularcylinders.com



REL. 05-28-03

# FIXED REAR EYE MOUNT (MP3)

# PENINSULAR CYLINDER SIZING CHART



NFPA CYLINDER  OR METRIC CYLINDER  AIR CYLINDER  LOW PRESSURE HYDRAULIC CYLINDER  HIGH PRESSURE HYDRAULIC CYLINDER

IF HYDRAULIC BOX IS CHECKED, INDICATE WORKING PRESSURE: \_\_\_\_\_

PROXIMITY SWITCH READY CYLINDER END CAPS REQUIRED? YES  NO

ARE THERE TIE RODS ON THIS CYLINDER? YES  NO  BORE SIZE: \_\_\_\_\_ STROKE LENGTH: \_\_\_\_\_

SLEEVE (TUBE) MATERIAL: STEEL  ALUMINUM  FIBERGLASS  OTHER  PISTON ROD. DIAMETER: \_\_\_\_\_

CYLINDER HEADS: STEEL  ALUMINUM  OTHER

PISTON ROD THREADS: MALE  FEMALE  OTHER  / SPECIFY THREAD PITCH (IE: 3/4" -16 x 1.125) \_\_\_\_\_

CUSHIONS: YES  NO  / IF YES:  ROD END ONLY  CAP END ONLY  CUSHION AT BOTH ENDS

IF CUSHIONS ARE REQUIRED INDICATE END CAP SIDE LOCATION OF THE CUSHION ADJUSTMENT SCREW AT ONE OR BOTH ENDS OF CYLINDER ENDS:

INDICATE PORT(S) THREAD SIZE: \_\_\_\_\_ CUSHION ADJUSTMENT SCREW SIDE LOCATION (1, 2, 3 OR 4): \_\_\_\_\_

INDICATE END CAP SIDE LOCATION(S) FOR CYLINDER PORTS: \_\_\_\_\_

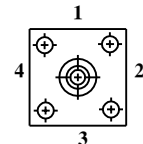
INDICATE EXISTING CYLINDER MANUFACTURER & MODEL NUMBER IF KNOWN: \_\_\_\_\_

IDENTIFY ALL PERTINENT INFORMATION ON EXISTING CYLINDER TAG: \_\_\_\_\_

IF NECESSARY, ATTACH DRAWINGS, SKETCHES OR PHOTOGRAPHS TO PROVIDE ADDITIONAL DETAIL REGARDING YOUR CYLINDER AND/OR APPLICATION

ANY QUESTIONS? CALL PENINSULAR AT 1-800-526-7968 OR (586) 775-7211

**\*-ADD STROKE TO THESE DIMENSIONS.**



-FEATURE LOCATION KEY- (VIEWED FACING ROD END.)

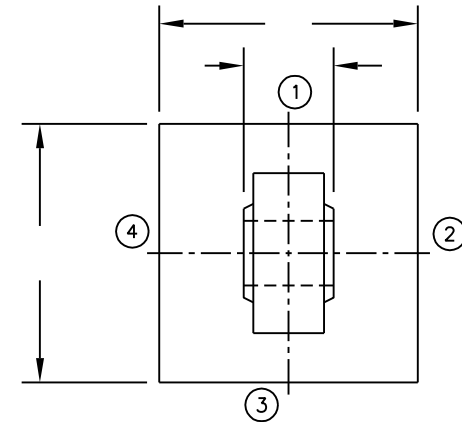
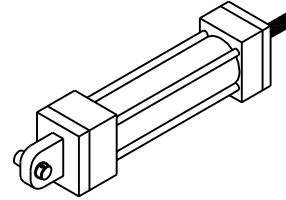
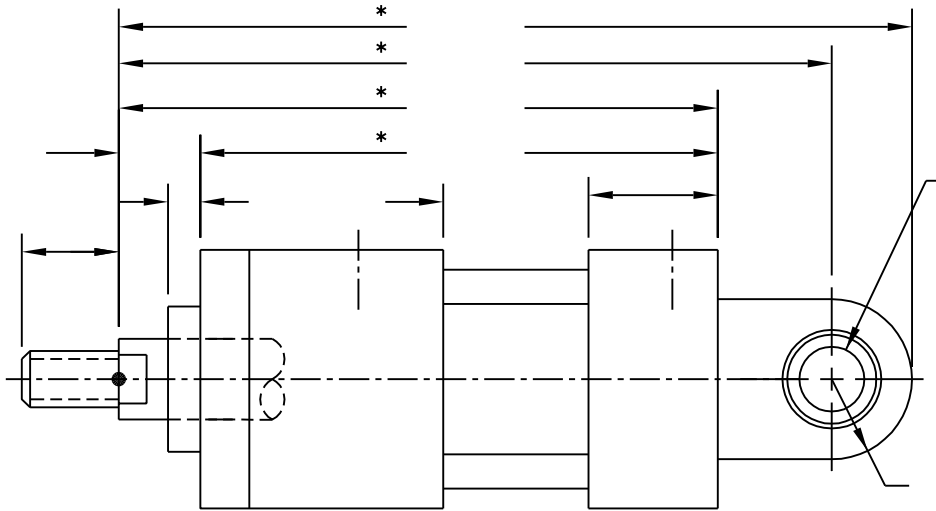
27650 Groesbeck Highway Roseville Michigan 48066-2759 Telephone: 586-775-7211 Fax: 586-775-4545  
Toll Free: 1-800-526-7968 Internet: www.peninsularcylinders.com Email: sales@peninsularcylinders.com



REL. 05-28-03

# REAR SPHERICAL MOUNT (MP5)

# PENINSULAR CYLINDER SIZING CHART



NFPA CYLINDER  OR METRIC CYLINDER  AIR CYLINDER  LOW PRESSURE HYDRAULIC CYLINDER  HIGH PRESSURE HYDRAULIC CYLINDER

IF HYDRAULIC BOX IS CHECKED, INDICATE WORKING PRESSURE: \_\_\_\_\_

PROXIMITY SWITCH READY CYLINDER END CAPS REQUIRED? YES  NO

ARE THERE TIE RODS ON THIS CYLINDER? YES  NO  BORE SIZE: \_\_\_\_\_ STROKE LENGTH: \_\_\_\_\_

SLEEVE (TUBE) MATERIAL: STEEL  ALUMINUM  FIBERGLASS  OTHER  PISTON ROD. DIAMETER: \_\_\_\_\_

CYLINDER HEADS: STEEL  ALUMINUM  OTHER

PISTON ROD THREADS: MALE  FEMALE  OTHER  / SPECIFY THREAD PITCH (IE: 3/4"-16 x 1.125) \_\_\_\_\_

CUSHIONS: YES  NO  / IF YES:  ROD END ONLY  CAP END ONLY  CUSHION AT BOTH ENDS

IF CUSHIONS ARE REQUIRED INDICATE END CAP SIDE LOCATION OF THE CUSHION ADJUSTMENT SCREW AT ONE OR BOTH ENDS OF CYLINDER ENDS:

INDICATE PORT(S) THREAD SIZE: \_\_\_\_\_ CUSHION ADJUSTMENT SCREW SIDE LOCATION (1, 2, 3 OR 4): \_\_\_\_\_

INDICATE END CAP SIDE LOCATION(S) FOR CYLINDER PORTS: \_\_\_\_\_

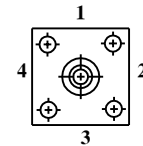
INDICATE EXISTING CYLINDER MANUFACTURER & MODEL NUMBER IF KNOWN: \_\_\_\_\_

IDENTIFY ALL PERTINENT INFORMATION ON EXISTING CYLINDER TAG: \_\_\_\_\_

IF NECESSARY, ATTACH DRAWINGS, SKETCHES OR PHOTOGRAPHS TO PROVIDE ADDITIONAL DETAIL REGARDING YOUR CYLINDER AND/OR APPLICATION

ANY QUESTIONS? CALL PENINSULAR AT 1-800-526-7968 OR (586) 775-7211

**\*-ADD STROKE TO THESE DIMENSIONS.**



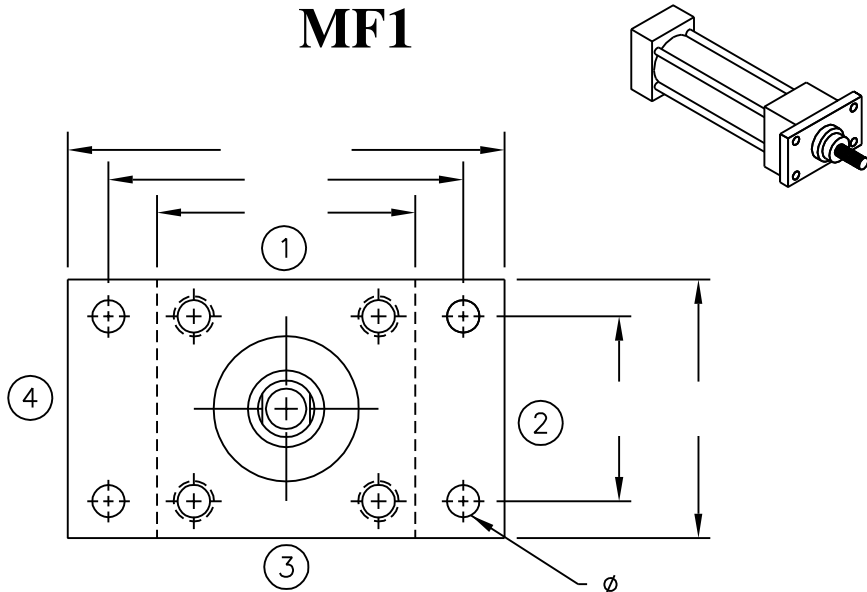
-FEATURE LOCATION KEY- (VIEWED FACING ROD END.)

27650 Groesbeck Highway Roseville Michigan 48066-2759 Telephone: 586-775-7211 Fax: 586-775-4545  
 Toll Free: 1-800-526-7968 Internet: www.peninsularcylinders.com Email: sales@peninsularcylinders.com

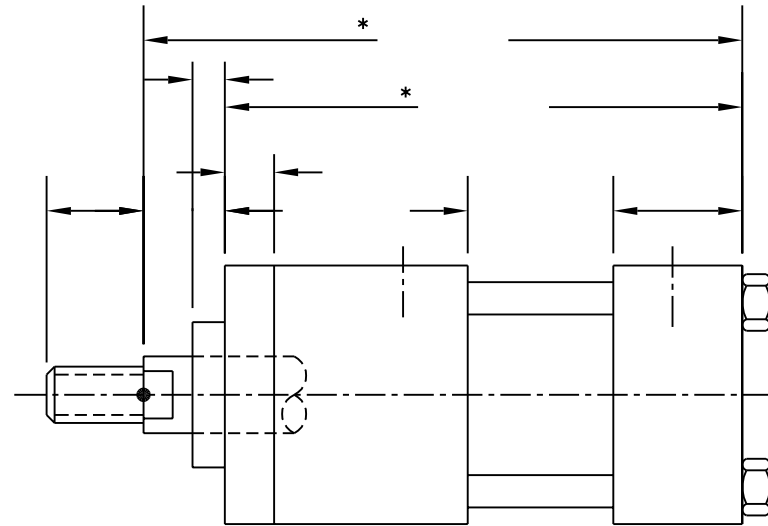


REL. 05-28-03

# FRONT RECTANGULAR FLANGE MF1



# PENINSULAR CYLINDER SIZING CHART



NFPA CYLINDER  OR METRIC CYLINDER  AIR CYLINDER  LOW PRESSURE HYDRAULIC CYLINDER  HIGH PRESSURE HYDRAULIC CYLINDER

IF HYDRAULIC BOX IS CHECKED, INDICATE WORKING PRESSURE: \_\_\_\_\_

PROXIMITY SWITCH READY CYLINDER END CAPS REQUIRED? YES  NO

ARE THERE TIE RODS ON THIS CYLINDER? YES  NO  BORE SIZE: \_\_\_\_\_ STROKE LENGTH: \_\_\_\_\_

SLEEVE (TUBE) MATERIAL: STEEL  ALUMINUM  FIBERGLASS  OTHER  PISTON ROD. DIAMETER: \_\_\_\_\_

CYLINDER HEADS: STEEL  ALUMINUM  OTHER

PISTON ROD THREADS: MALE  FEMALE  OTHER  / SPECIFY THREAD PITCH (IE: 3/4"-16 x 1.125) \_\_\_\_\_

CUSHIONS: YES  NO  / IF YES:  ROD END ONLY  CAP END ONLY  CUSHION AT BOTH ENDS

IF CUSHIONS ARE REQUIRED INDICATE END CAP SIDE LOCATION OF THE CUSHION ADJUSTMENT SCREW AT ONE OR BOTH ENDS OF CYLINDER ENDS:

INDICATE PORT(S) THREAD SIZE: \_\_\_\_\_ CUSHION ADJUSTMENT SCREW SIDE LOCATION (1, 2, 3 OR 4): \_\_\_\_\_

INDICATE END CAP SIDE LOCATION(S) FOR CYLINDER PORTS: \_\_\_\_\_

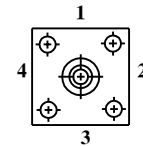
INDICATE EXISTING CYLINDER MANUFACTURER & MODEL NUMBER IF KNOWN: \_\_\_\_\_

IDENTIFY ALL PERTINENT INFORMATION ON EXISTING CYLINDER TAG: \_\_\_\_\_

IF NECESSARY, ATTACH DRAWINGS, SKETCHES OR PHOTOGRAPHS TO PROVIDE ADDITIONAL DETAIL REGARDING YOUR CYLINDER AND/OR APPLICATION

ANY QUESTIONS? CALL PENINSULAR AT 1-800-526-7968 OR (586) 775-7211

**\*-ADD STROKE TO THESE DIMENSIONS.**



-FEATURE LOCATION KEY- (VIEWED FACING ROD END.)

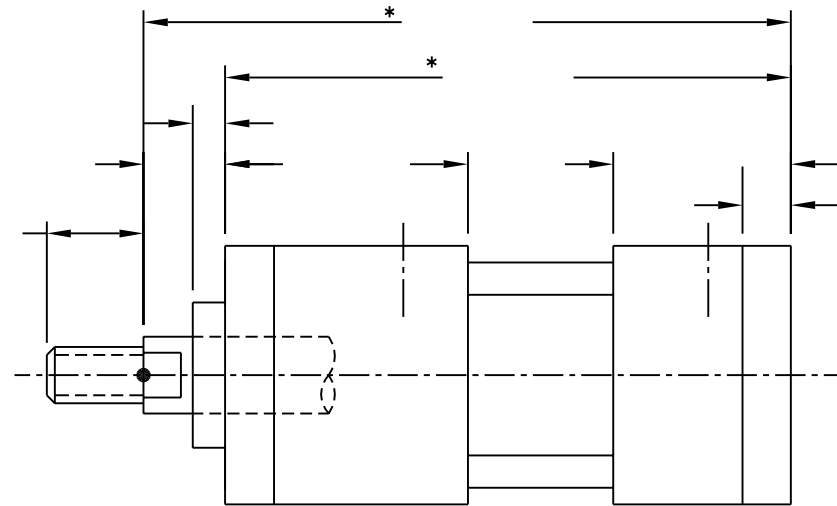
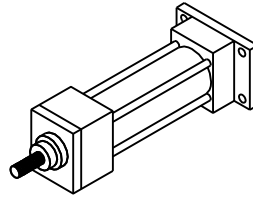
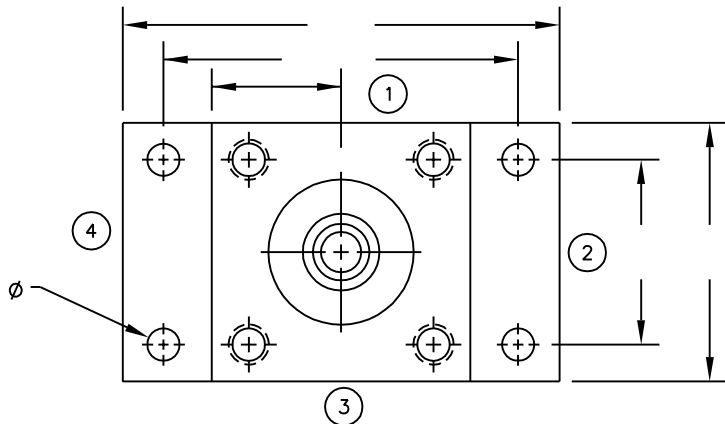
27650 Groesbeck Highway Roseville Michigan 48066-2759 Telephone: 586-775-7211 Fax: 586-775-4545  
Toll Free: 1-800-526-7968 Internet: www.peninsularcylinders.com Email: sales@peninsularcylinders.com



REL. 05-28-03

# REAR RECTANGULAR FLANGE MF2

# PENINSULAR CYLINDER SIZING CHART



NFPA CYLINDER  OR METRIC CYLINDER  AIR CYLINDER  LOW PRESSURE HYDRAULIC CYLINDER  HIGH PRESSURE HYDRAULIC CYLINDER

IF HYDRAULIC BOX IS CHECKED, INDICATE WORKING PRESSURE: \_\_\_\_\_

PROXIMITY SWITCH READY CYLINDER END CAPS REQUIRED? YES  NO

ARE THERE TIE RODS ON THIS CYLINDER? YES  NO  BORE SIZE: \_\_\_\_\_ STROKE LENGTH: \_\_\_\_\_

SLEEVE (TUBE) MATERIAL: STEEL  ALUMINUM  FIBERGLASS  OTHER  PISTON ROD. DIAMETER: \_\_\_\_\_

CYLINDER HEADS: STEEL  ALUMINUM  OTHER

PISTON ROD THREADS: MALE  FEMALE  OTHER  / SPECIFY THREAD PITCH (IE: 3/4"-16 x 1.125) \_\_\_\_\_

CUSHIONS: YES  NO  /IF YES:  ROD END ONLY  CAP END ONLY  CUSHION AT BOTH ENDS

IF CUSHIONS ARE REQUIRED INDICATE END CAP SIDE LOCATION OF THE CUSHION ADJUSTMENT SCREW AT ONE OR BOTH ENDS OF CYLINDER ENDS:

INDICATE PORT(S) THREAD SIZE: \_\_\_\_\_ CUSHION ADJUSTMENT SCREW SIDE LOCATION (1, 2, 3 OR 4): \_\_\_\_\_

INDICATE END CAP SIDE LOCATION(S) FOR CYLINDER PORTS: \_\_\_\_\_

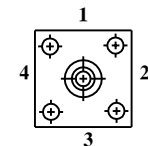
INDICATE EXISTING CYLINDER MANUFACTURER & MODEL NUMBER IF KNOWN: \_\_\_\_\_

IDENTIFY ALL PERTINENT INFORMATION ON EXISTING CYLINDER TAG: \_\_\_\_\_

IF NECESSARY, ATTACH DRAWINGS, SKETCHES OR PHOTOGRAPHS TO PROVIDE ADDITIONAL DETAIL REGARDING YOUR CYLINDER AND/OR APPLICATION

ANY QUESTIONS? CALL PENINSULAR AT 1-800-526-7968 OR (586) 775-7211

**\*-ADD STROKE TO THESE DIMENSIONS.**



-FEATURE LOCATION KEY-  
(VIEWED FACING ROD END.)

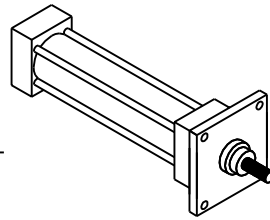
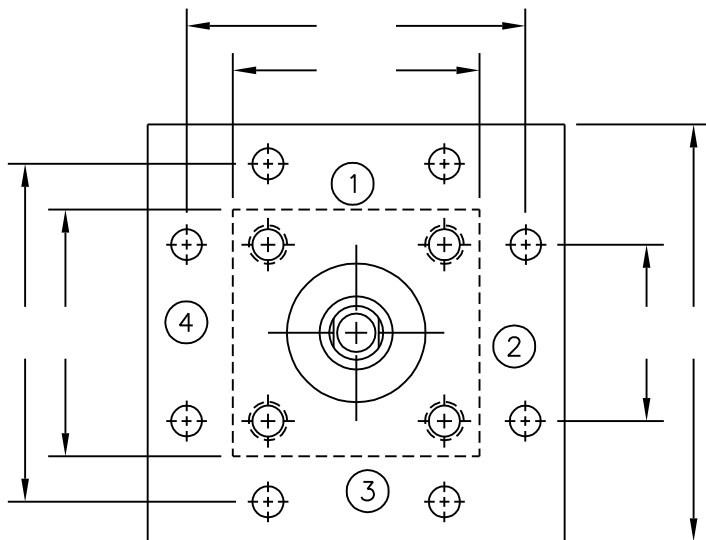
27650 Groesbeck Highway Roseville Michigan 48066-2759 Telephone: 586-775-7211 Fax: 586-775-4545  
Toll Free: 1-800-526-7968 Internet: www.peninsularcylinders.com Email: sales@peninsularcylinders.com

MEMBER  
NFPA

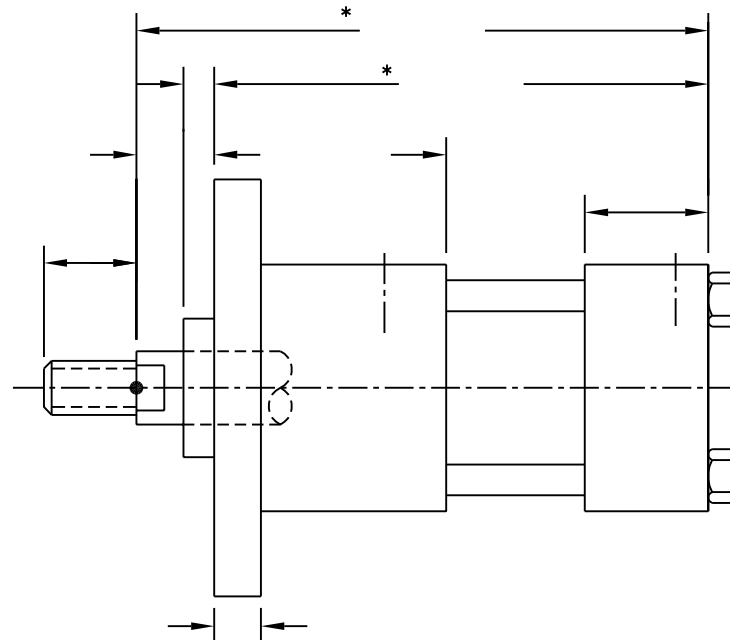


REL. 05-28-03

# FRONT SQUARE FLANGE MF5



# PENINSULAR CYLINDER SIZING CHART



NFPA CYLINDER  OR METRIC CYLINDER  AIR CYLINDER  LOW PRESSURE HYDRAULIC CYLINDER  HIGH PRESSURE HYDRAULIC CYLINDER

IF HYDRAULIC BOX IS CHECKED, INDICATE WORKING PRESSURE. \_\_\_\_\_

PROXIMITY SWITCH READY CYLINDER END CAPS REQUIRED? YES  NO

ARE THERE TIE RODS ON THIS CYLINDER? YES  NO  BORE SIZE: \_\_\_\_\_ STROKE LENGTH: \_\_\_\_\_

SLEEVE (TUBE) MATERIAL: STEEL  ALUMINUM  FIBERGLASS  OTHER  PISTON ROD. DIAMETER: \_\_\_\_\_

CYLINDER HEADS: STEEL  ALUMINUM  OTHER

PISTON ROD THREADS: MALE  FEMALE  OTHER  / SPECIFY THREAD PITCH (IE: 3/4"-16 x 1.125) \_\_\_\_\_

CUSHIONS: YES  NO  / IF YES:  ROD END ONLY  CAP END ONLY  CUSHION AT BOTH ENDS

IF CUSHIONS ARE REQUIRED INDICATE END CAP SIDE LOCATION OF THE CUSHION ADJUSTMENT SCREW AT ONE OR BOTH ENDS OF CYLINDER ENDS:

INDICATE PORT(S) THREAD SIZE: \_\_\_\_\_ CUSHION ADJUSTMENT SCREW SIDE LOCATION (1, 2, 3 OR 4): \_\_\_\_\_

INDICATE END CAP SIDE LOCATION(S) FOR CYLINDER PORTS: \_\_\_\_\_

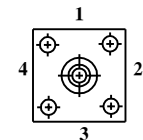
INDICATE EXISTING CYLINDER MANUFACTURER & MODEL NUMBER IF KNOWN: \_\_\_\_\_

IDENTIFY ALL PERTINENT INFORMATION ON EXISTING CYLINDER TAG: \_\_\_\_\_

IF NECESSARY, ATTACH DRAWINGS, SKETCHES OR PHOTOGRAPHS TO PROVIDE ADDITIONAL DETAIL REGARDING YOUR CYLINDER AND/OR APPLICATION

ANY QUESTIONS? CALL PENINSULAR AT 1-800-526-7968 OR (586) 775-7211

**\*-ADD STROKE TO THESE DIMENSIONS.**



-FEATURE LOCATION KEY-  
(VIEWED FACING ROD END.)

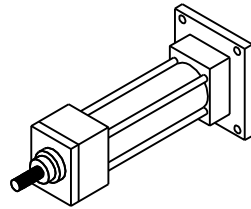
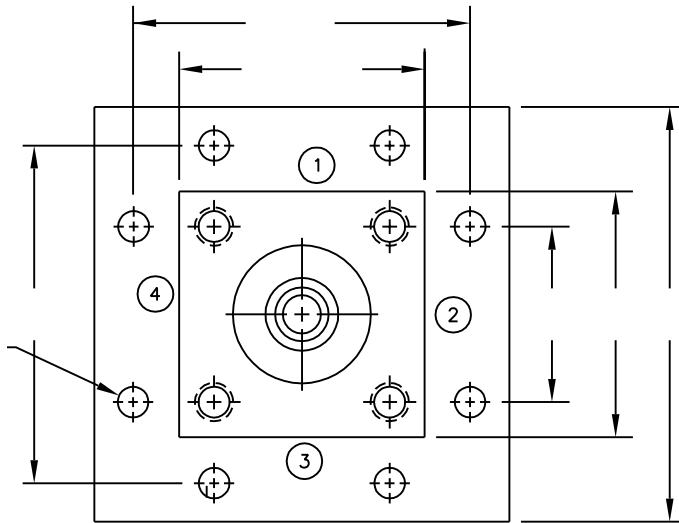
27650 Groesbeck Highway Roseville Michigan 48066-2759 Telephone: 586-775-7211 Fax: 586-775-4545  
Toll Free: 1-800-526-7968 Internet: www.peninsularcylinders.com Email: sales@peninsularcylinders.com

MEMBER  
NFPA

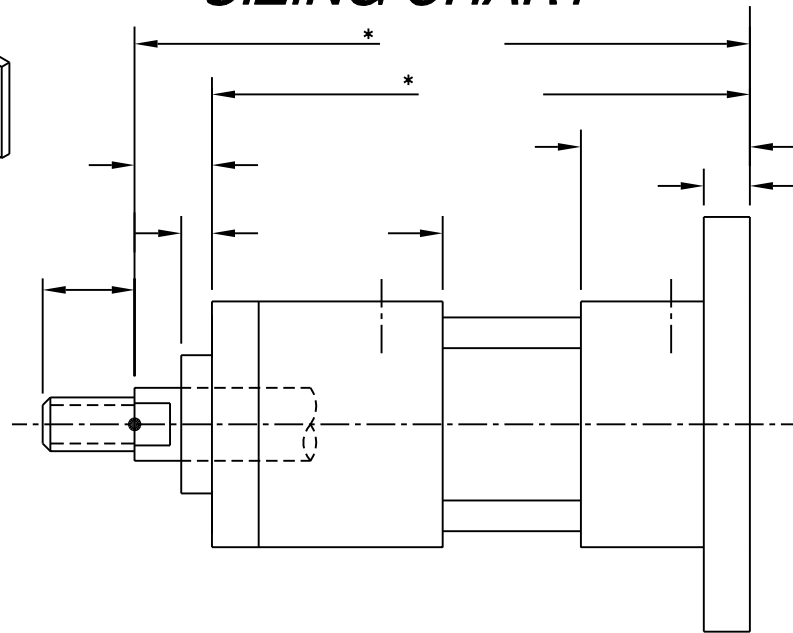


REL. 05-28-03

# REAR SQUARE FLANGE MF6



# PENINSULAR CYLINDER SIZING CHART



NFPA CYLINDER  OR METRIC CYLINDER  AIR CYLINDER  LOW PRESSURE HYDRAULIC CYLINDER  HIGH PRESSURE HYDRAULIC CYLINDER

IF HYDRAULIC BOX IS CHECKED, INDICATE WORKING PRESSURE: \_\_\_\_\_

PROXIMITY SWITCH READY CYLINDER END CAPS REQUIRED? YES  NO

ARE THERE TIE RODS ON THIS CYLINDER? YES  NO  BORE SIZE: \_\_\_\_\_ STROKE LENGTH: \_\_\_\_\_

SLEEVE (TUBE) MATERIAL: STEEL  ALUMINUM  FIBERGLASS  OTHER  PISTON ROD DIAMETER: \_\_\_\_\_

CYLINDER HEADS: STEEL  ALUMINUM  OTHER

PISTON ROD THREADS: MALE  FEMALE  OTHER  /SPECIFY THREAD PITCH (IE: 3/4"-16 x 1.125) \_\_\_\_\_

CUSHIONS: YES  NO  /IF YES:  ROD END ONLY  CAP END ONLY  CUSHION AT BOTH ENDS

IF CUSHIONS ARE REQUIRED INDICATE END CAP SIDE LOCATION OF THE CUSHION ADJUSTMENT SCREW AT ONE OR BOTH ENDS OF CYLINDER ENDS:

INDICATE PORT(S) THREAD SIZE: \_\_\_\_\_ CUSHION ADJUSTMENT SCREW SIDE LOCATION (1, 2, 3 OR 4): \_\_\_\_\_

INDICATE END CAP SIDE LOCATION(S) FOR CYLINDER PORTS: \_\_\_\_\_

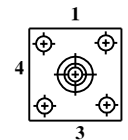
INDICATE EXISTING CYLINDER MANUFACTURER & MODEL NUMBER IF KNOWN: \_\_\_\_\_

IDENTIFY ALL PERTINENT INFORMATION ON EXISTING CYLINDER TAG: \_\_\_\_\_

IF NECESSARY, ATTACH DRAWINGS, SKETCHES OR PHOTOGRAPHS TO PROVIDE ADDITIONAL DETAIL REGARDING YOUR CYLINDER AND/OR APPLICATION

ANY QUESTIONS? CALL PENINSULAR AT 1-800-526-7968 OR (586) 775-7211

**\*-ADD STROKE TO THESE DIMENSIONS.**



-FEATURE LOCATION KEY-  
(VIEWED FACING ROD END.)

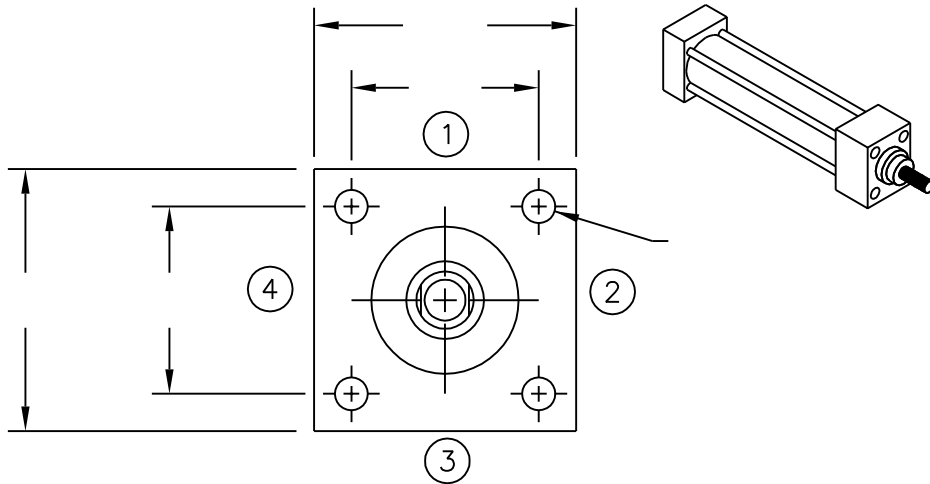
27650 Groesbeck Highway Roseville Michigan 48066-2759 Telephone: 586-775-7211 Fax: 586-775-4545 MEMBER NFPA

Toll Free: 1-800-526-7968 Internet: www.peninsularcylinders.com Email: sales@peninsularcylinders.com

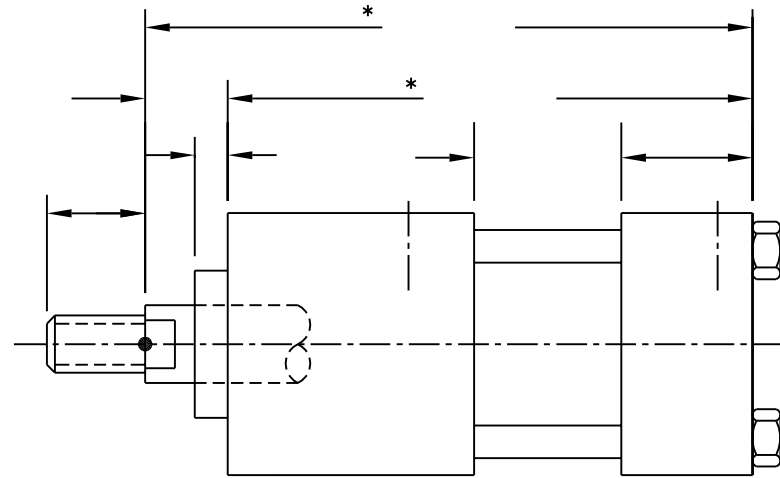


REL. 05-28-03

# FRONT BLOCK FLANGE (8", 10" & 12" BORE ONLY) ME3



# PENINSULAR CYLINDER SIZING CHART



NFPA CYLINDER  OR METRIC CYLINDER  AIR CYLINDER  LOW PRESSURE HYDRAULIC CYLINDER  HIGH PRESSURE HYDRAULIC CYLINDER

IF HYDRAULIC BOX IS CHECKED, INDICATE WORKING PRESSURE: \_\_\_\_\_

PROXIMITY SWITCH READY CYLINDER END CAPS REQUIRED? YES  NO

ARE THERE TIE RODS ON THIS CYLINDER? YES  NO  BORE SIZE: \_\_\_\_\_ STROKE LENGTH: \_\_\_\_\_

SLEEVE (TUBE) MATERIAL: STEEL  ALUMINUM  FIBERGLASS  OTHER  PISTON ROD. DIAMETER: \_\_\_\_\_

CYLINDER HEADS: STEEL  ALUMINUM  OTHER

PISTON ROD THREADS: MALE  FEMALE  OTHER  / SPECIFY THREAD PITCH (IE: 3/4"-16 x 1.125) \_\_\_\_\_

CUSHIONS: YES  NO  / IF YES:  ROD END ONLY  CAP END ONLY  CUSHION AT BOTH ENDS

IF CUSHIONS ARE REQUIRED INDICATE END CAP SIDE LOCATION OF THE CUSHION ADJUSTMENT SCREW AT ONE OR BOTH ENDS OF CYLINDER ENDS:

INDICATE PORT(S) THREAD SIZE: \_\_\_\_\_ CUSHION ADJUSTMENT SCREW SIDE LOCATION (1, 2, 3 OR 4): \_\_\_\_\_

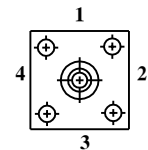
INDICATE END CAP SIDE LOCATION(S) FOR CYLINDER PORTS: \_\_\_\_\_

INDICATE EXISTING CYLINDER MANUFACTURER & MODEL NUMBER IF KNOWN: \_\_\_\_\_

IDENTIFY ALL PERTINENT INFORMATION ON EXISTING CYLINDER TAG: \_\_\_\_\_

IF NECESSARY, ATTACH DRAWINGS, SKETCHES OR PHOTOGRAPHS TO PROVIDE ADDITIONAL DETAIL REGARDING YOUR CYLINDER AND/OR APPLICATION

ANY QUESTIONS? CALL PENINSULAR AT 1-800-526-7968 OR (586) 775-7211



-FEATURE LOCATION KEY-  
(VIEWED FACING ROD END.)

**\*-ADD STROKE TO THESE DIMENSIONS.**

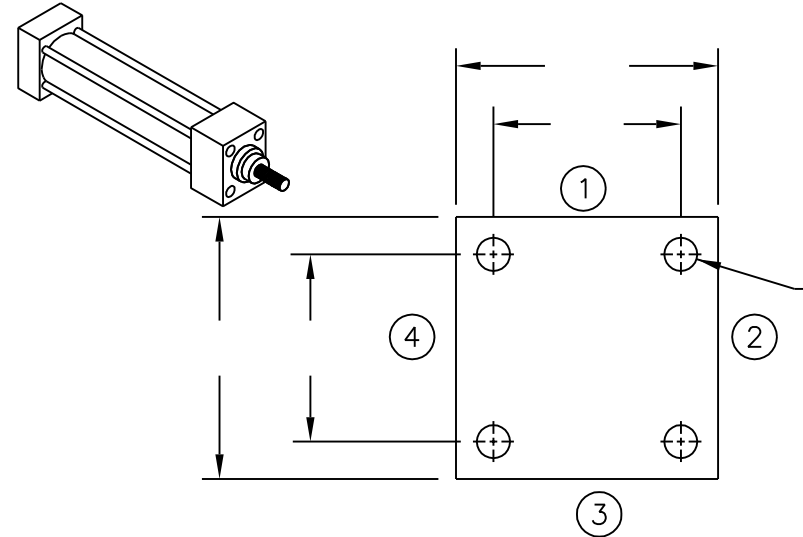
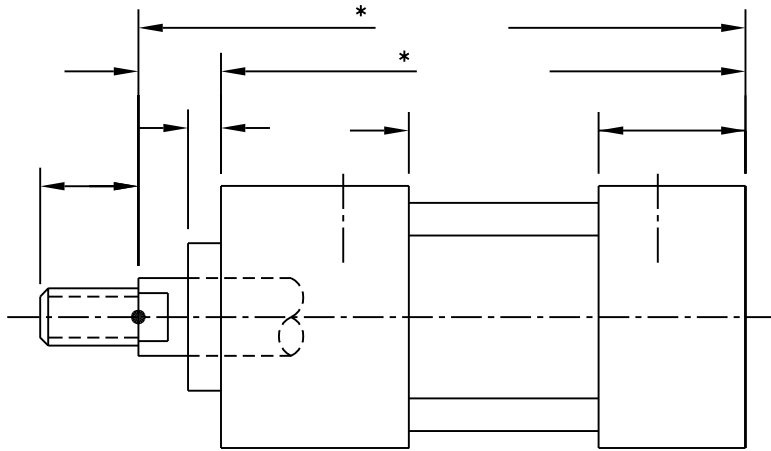
27650 Groesbeck Highway Roseville Michigan 48066-2759 Telephone: 586-775-7211 Fax: 586-775-4545  
Toll Free: 1-800-526-7968 Internet: www.peninsularcylinders.com Email: sales@peninsularcylinders.com



REL. 05-28-03

# REAR BLOCK FLANGE 8", 10" & 12" BORE ONLY. ME4

# PENINSULAR CYLINDER SIZING CHART



NFPA CYLINDER  OR METRIC CYLINDER  AIR CYLINDER  LOW PRESSURE HYDRAULIC CYLINDER  HIGH PRESSURE HYDRAULIC CYLINDER

IF HYDRAULIC BOX IS CHECKED, INDICATE WORKING PRESSURE: \_\_\_\_\_

PROXIMITY SWITCH READY CYLINDER END CAPS REQUIRED? YES  NO

ARE THERE TIE RODS ON THIS CYLINDER? YES  NO  BORE SIZE: \_\_\_\_\_ STROKE LENGTH: \_\_\_\_\_

SLEEVE (TUBE) MATERIAL: STEEL  ALUMINUM  FIBERGLASS  OTHER  PISTON ROD. DIAMETER: \_\_\_\_\_

CYLINDER HEADS: STEEL  ALUMINUM  OTHER

PISTON ROD THREADS: MALE  FEMALE  OTHER  / SPECIFY THREAD PITCH (IE: 3/4"-16 x 1.125) \_\_\_\_\_

CUSHIONS: YES  NO  / IF YES:  ROD END ONLY

IF CUSHIONS ARE REQUIRED INDICATE END CAP SIDE

CAP END ONLY

LOCATION OF THE CUSHION ADJUSTMENT SCREW

CUSHION AT BOTH ENDS

AT ONE OR BOTH ENDS OF CYLINDER ENDS:

INDICATE PORT(S) THREAD SIZE: \_\_\_\_\_ CUSHION ADJUSTMENT SCREW SIDE LOCATION (1, 2, 3 OR 4): \_\_\_\_\_

INDICATE END CAP SIDE LOCATION(S) FOR CYLINDER PORTS: \_\_\_\_\_

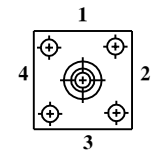
INDICATE EXISTING CYLINDER MANUFACTURER & MODEL NUMBER IF KNOWN: \_\_\_\_\_

IDENTIFY ALL PERTINENT INFORMATION ON EXISTING CYLINDER TAG: \_\_\_\_\_

IF NECESSARY, ATTACH DRAWINGS, SKETCHES OR PHOTOGRAPHS TO PROVIDE ADDITIONAL DETAIL REGARDING YOUR CYLINDER AND/OR APPLICATION

ANY QUESTIONS? CALL PENINSULAR AT 1-800-526-7968 OR (586) 775-7211

\*-ADD STROKE TO THESE DIMENSIONS.



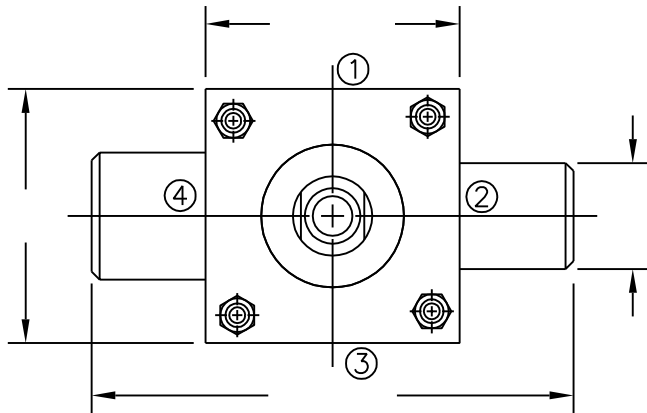
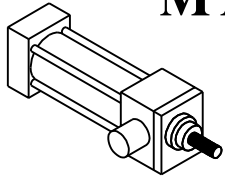
-FEATURE LOCATION KEY-  
(VIEWED FACING ROD END.)

27650 Groesbeck Highway Roseville Michigan 48066-2759 Telephone: 586-775-7211 Fax: 586-775-4545  
Toll Free: 1-800-526-7968 Internet: www.peninsularcylinders.com Email: sales@peninsularcylinders.com

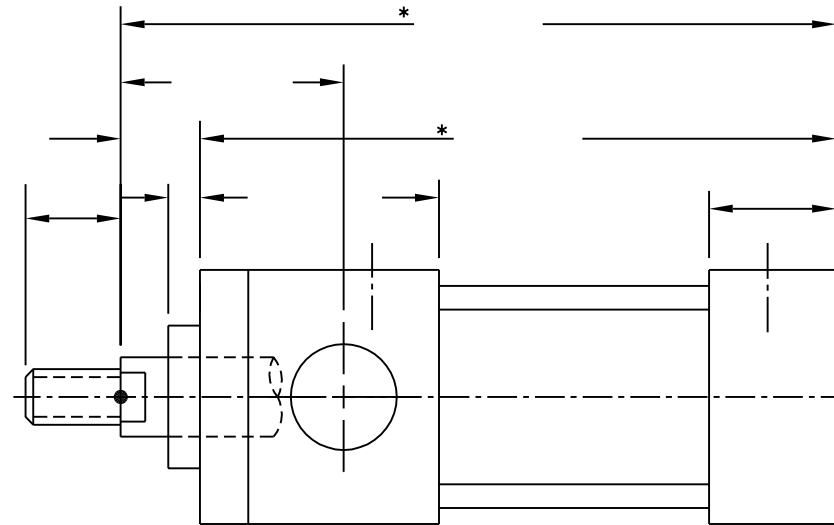


REL. 05-28-03

# FRONT TRUNNION MT1



# PENINSULAR CYLINDER SIZING CHART



NFPA CYLINDER  OR METRIC CYLINDER  AIR CYLINDER  LOW PRESSURE HYDRAULIC CYLINDER  HIGH PRESSURE HYDRAULIC CYLINDER

IF HYDRAULIC BOX IS CHECKED, INDICATE WORKING PRESSURE: \_\_\_\_\_

PROXIMITY SWITCH READY CYLINDER END CAPS REQUIRED? YES  NO

ARE THERE TIE RODS ON THIS CYLINDER? YES  NO  BORE SIZE: \_\_\_\_\_ STROKE LENGTH: \_\_\_\_\_

SLEEVE (TUBE) MATERIAL: STEEL  ALUMINUM  FIBERGLASS  OTHER  PISTON ROD DIAMETER: \_\_\_\_\_

CYLINDER HEADS: STEEL  ALUMINUM  OTHER

PISTON ROD THREADS: MALE  FEMALE  OTHER  / SPECIFY THREAD PITCH (IE: 3/4"-16 x 1.125) \_\_\_\_\_

CUSHIONS: YES  NO  / IF YES:  ROD END ONLY  CAP END ONLY  CUSHION AT BOTH ENDS

IF CUSHIONS ARE REQUIRED INDICATE END CAP SIDE LOCATION OF THE CUSHION ADJUSTMENT SCREW AT ONE OR BOTH ENDS OF CYLINDER ENDS:

INDICATE PORT(S) THREAD SIZE: \_\_\_\_\_ CUSHION ADJUSTMENT SCREW SIDE LOCATION (1, 2, 3 OR 4): \_\_\_\_\_

INDICATE END CAP SIDE LOCATION(S) FOR CYLINDER PORTS: \_\_\_\_\_

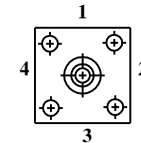
INDICATE EXISTING CYLINDER MANUFACTURER & MODEL NUMBER IF KNOWN: \_\_\_\_\_

IDENTIFY ALL PERTINENT INFORMATION ON EXISTING CYLINDER TAG: \_\_\_\_\_

IF NECESSARY, ATTACH DRAWINGS, SKETCHES OR PHOTOGRAPHS TO PROVIDE ADDITIONAL DETAIL REGARDING YOUR CYLINDER AND/OR APPLICATION

ANY QUESTIONS? CALL PENINSULAR AT 1-800-526-7968 OR (586) 775-7211

**\*-ADD STROKE TO THESE DIMENSIONS.**



-FEATURE LOCATION KEY-  
(VIEWED FACING ROD END.)

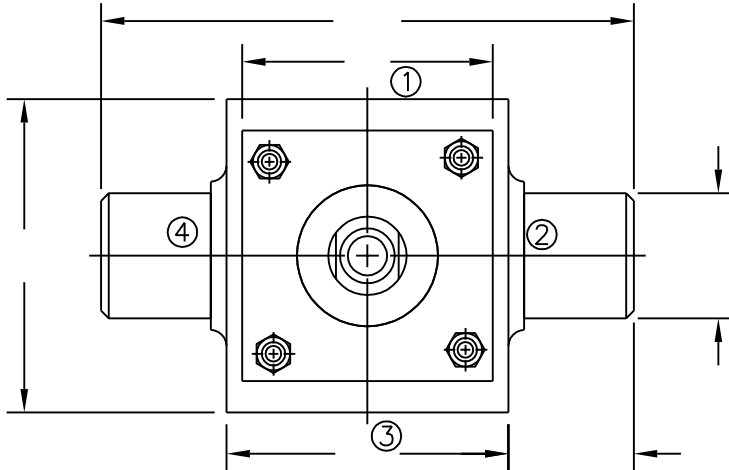
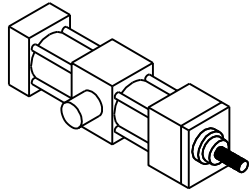
27650 Groesbeck Highway Roseville Michigan 48066-2759 Telephone: 586-775-7211 Fax: 586-775-4545  
Toll Free: 1-800-526-7968 Internet: www.peninsularcylinders.com Email: sales@peninsularcylinders.com

MEMBER  
NFPA

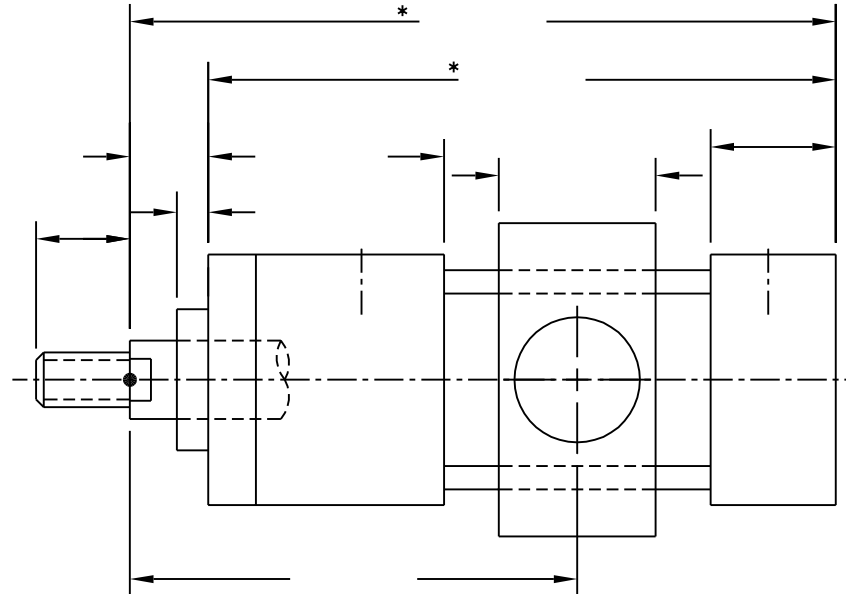


REL. 05-28-03

# INTERMEDIATE TRUNNION MT4



# PENINSULAR CYLINDER SIZING CHART



NFPA CYLINDER  OR METRIC CYLINDER  AIR CYLINDER  LOW PRESSURE HYDRAULIC CYLINDER  HIGH PRESSURE HYDRAULIC CYLINDER

IF HYDRAULIC BOX IS CHECKED, INDICATE WORKING PRESSURE: \_\_\_\_\_

PROXIMITY SWITCH READY CYLINDER END CAPS REQUIRED? YES  NO

ARE THERE TIE RODS ON THIS CYLINDER? YES  NO  BORE SIZE: \_\_\_\_\_ STROKE LENGTH: \_\_\_\_\_

SLEEVE (TUBE) MATERIAL: STEEL  ALUMINUM  FIBERGLASS  OTHER  PISTON ROD. DIAMETER: \_\_\_\_\_

CYLINDER HEADS: STEEL  ALUMINUM  OTHER

PISTON ROD THREADS: MALE  FEMALE  OTHER  / SPECIFY THREAD PITCH (IE: 3/4" -16 x 1.125) \_\_\_\_\_

CUSHIONS: YES  NO  / IF YES:  ROD END ONLY  CAP END ONLY  CUSHION AT BOTH ENDS

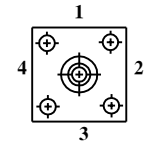
IF CUSHIONS ARE REQUIRED INDICATE END CAP SIDE LOCATION OF THE CUSHION ADJUSTMENT SCREW AT ONE OR BOTH ENDS OF CYLINDER ENDS:

INDICATE PORT(S) THREAD SIZE: \_\_\_\_\_ CUSHION ADJUSTMENT SCREW SIDE LOCATION (1, 2, 3 OR 4): \_\_\_\_\_

INDICATE END CAP SIDE LOCATION(S) FOR CYLINDER PORTS: \_\_\_\_\_

INDICATE EXISTING CYLINDER MANUFACTURER & MODEL NUMBER IF KNOWN: \_\_\_\_\_

IDENTIFY ALL PERTINENT INFORMATION ON EXISTING CYLINDER TAG: \_\_\_\_\_



-FEATURE LOCATION KEY- (VIEWED FACING ROD END.)

IF NECESSARY, ATTACH DRAWINGS, SKETCHES OR PHOTOGRAPHS TO PROVIDE ADDITIONAL DETAIL REGARDING YOUR CYLINDER AND/OR APPLICATION  
ANY QUESTIONS? CALL PENINSULAR AT 1-800-526-7968 OR (586) 775-7211

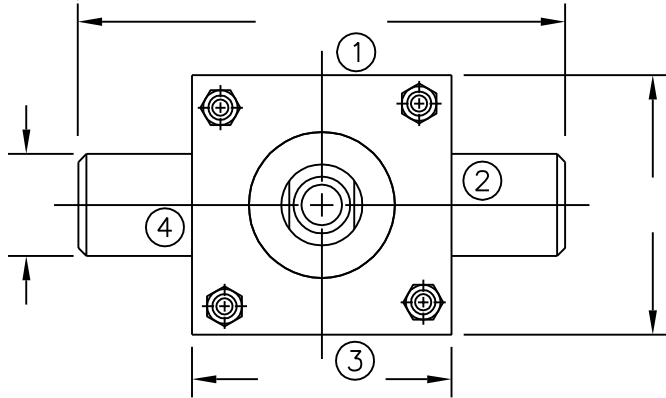
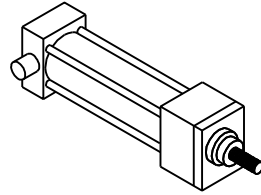
**\*-ADD STROKE TO THESE DIMENSIONS.**

27650 Groesbeck Highway Roseville Michigan 48066-2759 Telephone: 586-775-7211 Fax: 586-775-4545  
Toll Free: 1-800-526-7968 Internet: www.peninsularcylinders.com Email: sales@peninsularcylinders.com

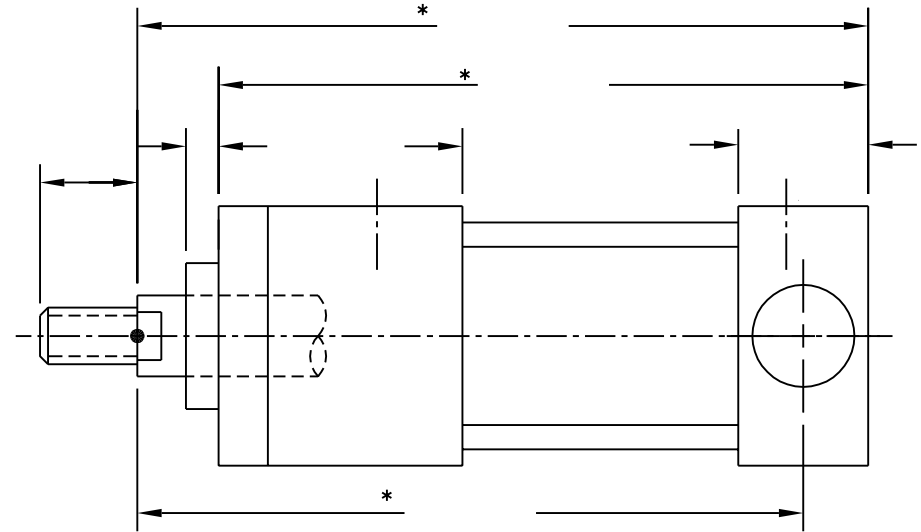


REL. 05-28-03

# REAR TRUNNION MT2



# PENINSULAR CYLINDER SIZING CHART



NFPA CYLINDER  OR METRIC CYLINDER  AIR CYLINDER  LOW PRESSURE HYDRAULIC CYLINDER  HIGH PRESSURE HYDRAULIC CYLINDER

IF HYDRAULIC BOX IS CHECKED, INDICATE WORKING PRESSURE: \_\_\_\_\_

PROXIMITY SWITCH READY CYLINDER END CAPS REQUIRED? YES  NO

ARE THERE TIE RODS ON THIS CYLINDER? YES  NO  BORE SIZE: \_\_\_\_\_ STROKE LENGTH: \_\_\_\_\_

SLEEVE (TUBE) MATERIAL: STEEL  ALUMINUM  FIBERGLASS  OTHER  PISTON ROD. DIAMETER: \_\_\_\_\_

CYLINDER HEADS: STEEL  ALUMINUM  OTHER

PISTON ROD THREADS: MALE  FEMALE  OTHER  / SPECIFY THREAD PITCH (IE: 3/4"-16 x 1.125) \_\_\_\_\_

CUSHIONS: YES  NO  / IF YES:  ROD END ONLY  CAP END ONLY  CUSHION AT BOTH ENDS

IF CUSHIONS ARE REQUIRED INDICATE END CAP SIDE LOCATION OF THE CUSHION ADJUSTMENT SCREW AT ONE OR BOTH ENDS OF CYLINDER ENDS:

INDICATE PORT(S) THREAD SIZE: \_\_\_\_\_ CUSHION ADJUSTMENT SCREW SIDE LOCATION (1, 2, 3 OR 4): \_\_\_\_\_

INDICATE END CAP SIDE LOCATION(S) FOR CYLINDER PORTS: \_\_\_\_\_

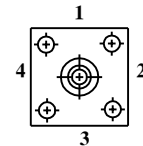
INDICATE EXISTING CYLINDER MANUFACTURER & MODEL NUMBER IF KNOWN: \_\_\_\_\_

IDENTIFY ALL PERTINENT INFORMATION ON EXISTING CYLINDER TAG: \_\_\_\_\_

IF NECESSARY, ATTACH DRAWINGS, SKETCHES OR PHOTOGRAPHS TO PROVIDE ADDITIONAL DETAIL REGARDING YOUR CYLINDER AND/OR APPLICATION

ANY QUESTIONS? CALL PENINSULAR AT 1-800-526-7968 OR (586) 775-7211

**\*-ADD STROKE TO THESE DIMENSIONS.**



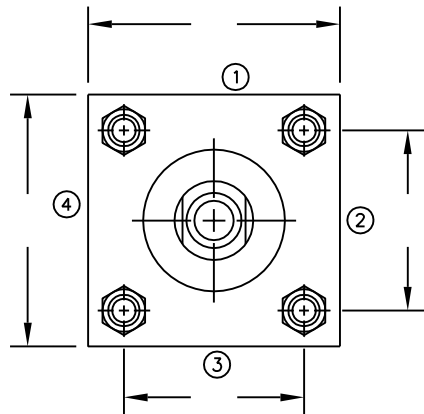
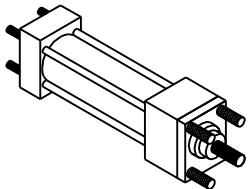
-FEATURE LOCATION KEY-  
(VIEWED FACING ROD END.)

27650 Groesbeck Highway Roseville Michigan 48066-2759 Telephone: 586-775-7211 Fax: 586-775-4545  
Toll Free: 1-800-526-7968 Internet: www.peninsularcylinders.com Email: sales@peninsularcylinders.com

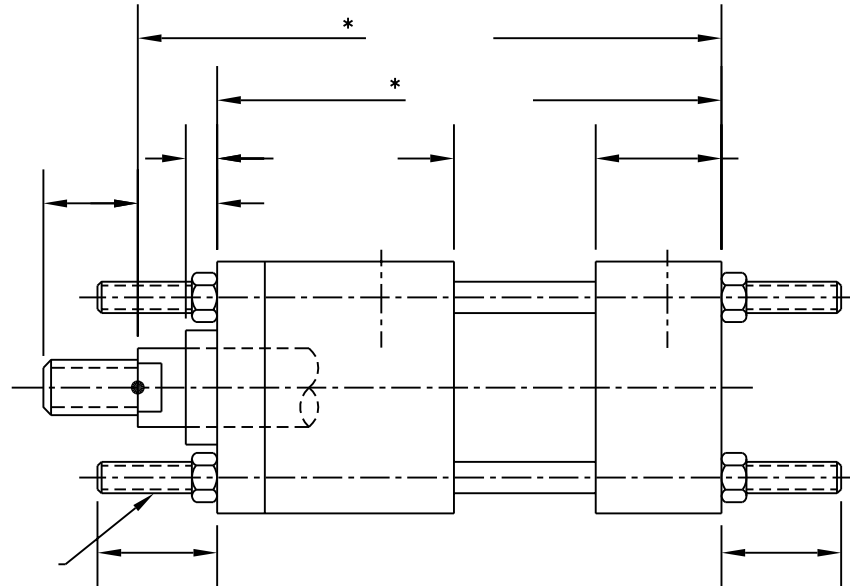


REL. 05-28-03

# TIE ROD EXTENDED (BOTH ENDS) MX1



# PENINSULAR CYLINDER SIZING CHART



NFPA CYLINDER  OR METRIC CYLINDER  AIR CYLINDER  LOW PRESSURE HYDRAULIC CYLINDER  HIGH PRESSURE HYDRAULIC CYLINDER

IF HYDRAULIC BOX IS CHECKED, INDICATE WORKING PRESSURE: \_\_\_\_\_

PROXIMITY SWITCH READY CYLINDER END CAPS REQUIRED? YES  NO

ARE THERE TIE RODS ON THIS CYLINDER? YES  NO  BORE SIZE: \_\_\_\_\_ STROKE LENGTH: \_\_\_\_\_

SLEEVE (TUBE) MATERIAL: STEEL  ALUMINUM  FIBERGLASS  OTHER  PISTON ROD. DIAMETER: \_\_\_\_\_

CYLINDER HEADS: STEEL  ALUMINUM  OTHER

PISTON ROD THREADS: MALE  FEMALE  OTHER  / SPECIFY THREAD PITCH (IE: 3/4"-16 x 1.125) \_\_\_\_\_

CUSHIONS: YES  NO  / IF YES:  ROD END ONLY  
 CAP END ONLY  
 CUSHION AT BOTH ENDS

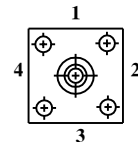
IF CUSHIONS ARE REQUIRED INDICATE END CAP SIDE  
 LOCATION OF THE CUSHION ADJUSTMENT SCREW  
 AT ONE OR BOTH ENDS OF CYLINDER ENDS:

INDICATE PORT(S) THREAD SIZE: \_\_\_\_\_ CUSHION ADJUSTMENT SCREW SIDE LOCATION (1, 2, 3 OR 4): \_\_\_\_\_

INDICATE END CAP SIDE LOCATION(S) FOR CYLINDER PORTS: \_\_\_\_\_

INDICATE EXISTING CYLINDER MANUFACTURER & MODEL NUMBER IF KNOWN: \_\_\_\_\_

IDENTIFY ALL PERTINENT INFORMATION ON EXISTING CYLINDER TAG: \_\_\_\_\_



-FEATURE LOCATION KEY-  
(VIEWED FACING ROD END.)

IF NECESSARY, ATTACH DRAWINGS, SKETCHES OR PHOTOGRAPHS TO PROVIDE ADDITIONAL DETAIL REGARDING YOUR CYLINDER AND/OR APPLICATION

ANY QUESTIONS? CALL PENINSULAR AT 1-800-526-7968 OR (586) 775-7211

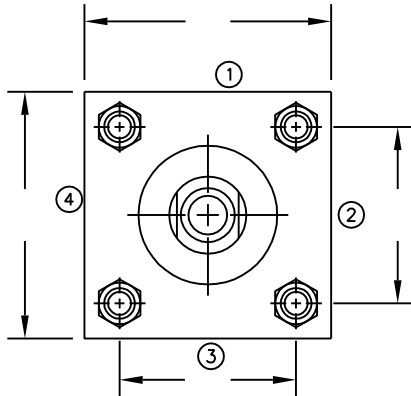
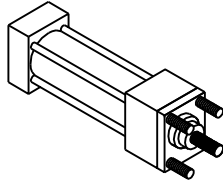
\*-ADD STROKE TO THESE DIMENSIONS.

27650 Groesbeck Highway Roseville Michigan 48066-2759 Telephone: 586-775-7211 Fax: 586-775-4545 MEMBER  
 Toll Free: 1-800-526-7968 Internet: www.peninsularcylinders.com Email: sales@peninsularcylinders.com NFPA

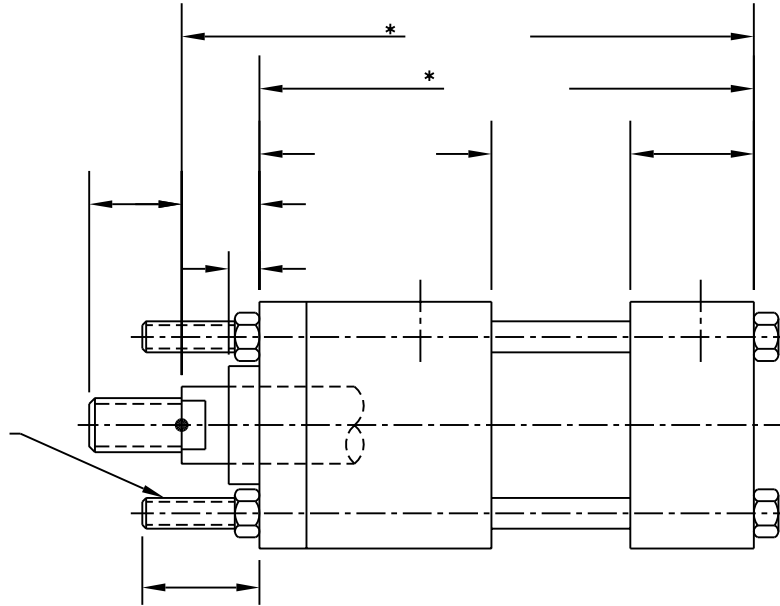


REL. 05-28-03

# HEAD TIE RODS EXTENDED MX3



# PENINSULAR CYLINDER SIZING CHART



NFPA CYLINDER  OR METRIC CYLINDER  AIR CYLINDER  LOW PRESSURE HYDRAULIC CYLINDER  HIGH PRESSURE HYDRAULIC CYLINDER

IF HYDRAULIC BOX IS CHECKED, INDICATE WORKING PRESSURE: \_\_\_\_\_

PROXIMITY SWITCH READY CYLINDER END CAPS REQUIRED? YES  NO

ARE THERE TIE RODS ON THIS CYLINDER? YES  NO  BORE SIZE: \_\_\_\_\_ STROKE LENGTH: \_\_\_\_\_

SLEEVE (TUBE) MATERIAL: STEEL  ALUMINUM  FIBERGLASS  OTHER  PISTON ROD DIAMETER: \_\_\_\_\_

CYLINDER HEADS: STEEL  ALUMINUM  OTHER

PISTON ROD THREADS: MALE  FEMALE  OTHER  / SPECIFY THREAD PITCH (IE: 3/4"-16 x 1.125) \_\_\_\_\_

CUSHIONS: YES  NO  / IF YES:  ROD END ONLY  CAP END ONLY  CUSHION AT BOTH ENDS

IF CUSHIONS ARE REQUIRED INDICATE END CAP SIDE LOCATION OF THE CUSHION ADJUSTMENT SCREW AT ONE OR BOTH ENDS OF CYLINDER ENDS:

INDICATE PORT(S) THREAD SIZE: \_\_\_\_\_ CUSHION ADJUSTMENT SCREW SIDE LOCATION (1, 2, 3 OR 4): \_\_\_\_\_

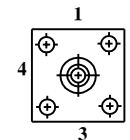
INDICATE END CAP SIDE LOCATION(S) FOR CYLINDER PORTS: \_\_\_\_\_

INDICATE EXISTING CYLINDER MANUFACTURER & MODEL NUMBER IF KNOWN: \_\_\_\_\_

IDENTIFY ALL PERTINENT INFORMATION ON EXISTING CYLINDER TAG: \_\_\_\_\_

IF NECESSARY, ATTACH DRAWINGS, SKETCHES OR PHOTOGRAPHS TO PROVIDE ADDITIONAL DETAIL REGARDING YOUR CYLINDER AND/OR APPLICATION

ANY QUESTIONS? CALL PENINSULAR AT 1-800-526-7968 OR (586) 775-7211



-FEATURE LOCATION KEY-  
(VIEWED FACING ROD END.)

**\*-ADD STROKE TO THESE DIMENSIONS.**

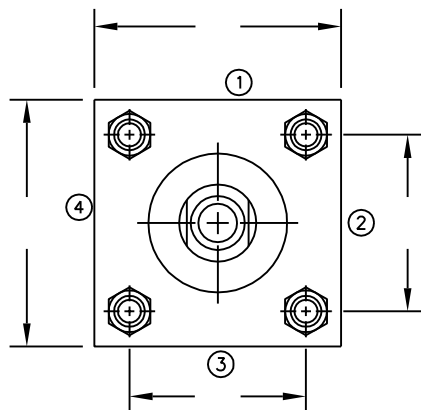
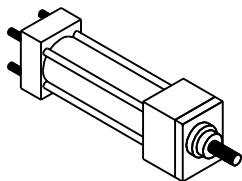
27650 Groesbeck Highway Roseville Michigan 48066-2759 Telephone: 586-775-7211 Fax: 586-775-4545  
Toll Free: 1-800-526-7968 Internet: www.peninsularcylinders.com Email: sales@peninsularcylinders.com

MEMBER  
NFPA

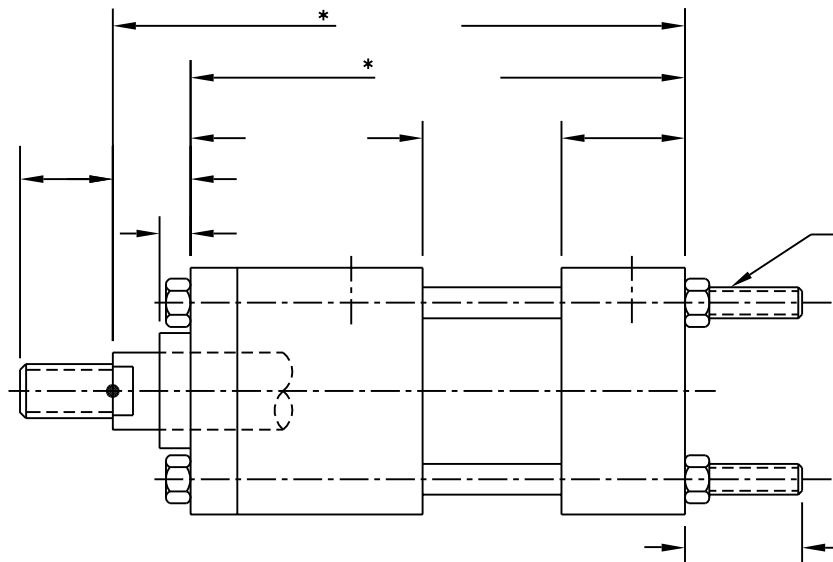


REL. 05-28-03

# CAP TIE RODS EXTENDED MX2



# PENINSULAR CYLINDER SIZING CHART



NFPA CYLINDER  OR METRIC CYLINDER  AIR CYLINDER  LOW PRESSURE HYDRAULIC CYLINDER  HIGH PRESSURE HYDRAULIC CYLINDER

IF HYDRAULIC BOX IS CHECKED, INDICATE WORKING PRESSURE: \_\_\_\_\_

PROXIMITY SWITCH READY CYLINDER END CAPS REQUIRED? YES  NO

ARE THERE TIE RODS ON THIS CYLINDER? YES  NO  BORE SIZE: \_\_\_\_\_ STROKE LENGTH: \_\_\_\_\_

SLEEVE (TUBE) MATERIAL: STEEL  ALUMINUM  FIBERGLASS  OTHER  PISTON ROD DIAMETER: \_\_\_\_\_

CYLINDER HEADS: STEEL  ALUMINUM  OTHER

PISTON ROD THREADS: MALE  FEMALE  OTHER  / SPECIFY THREAD PITCH (IE: 3/4"-16 x 1.125) \_\_\_\_\_

CUSHIONS: YES  NO  / IF YES:  ROD END ONLY  CAP END ONLY  CUSHION AT BOTH ENDS

IF CUSHIONS ARE REQUIRED INDICATE END CAP SIDE LOCATION OF THE CUSHION ADJUSTMENT SCREW AT ONE OR BOTH ENDS OF CYLINDER ENDS:

INDICATE PORT(S) THREAD SIZE: \_\_\_\_\_ CUSHION ADJUSTMENT SCREW SIDE LOCATION (1, 2, 3 OR 4): \_\_\_\_\_

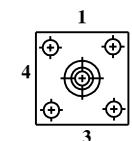
INDICATE END CAP SIDE LOCATION(S) FOR CYLINDER PORTS: \_\_\_\_\_

INDICATE EXISTING CYLINDER MANUFACTURER & MODEL NUMBER IF KNOWN: \_\_\_\_\_

IDENTIFY ALL PERTINENT INFORMATION ON EXISTING CYLINDER TAG: \_\_\_\_\_

IF NECESSARY, ATTACH DRAWINGS, SKETCHES OR PHOTOGRAPHS TO PROVIDE ADDITIONAL DETAIL REGARDING YOUR CYLINDER AND/OR APPLICATION

ANY QUESTIONS? CALL PENINSULAR AT 1-800-526-7968 OR (586) 775-7211



-FEATURE LOCATION KEY-  
(VIEWED FACING ROD END.)

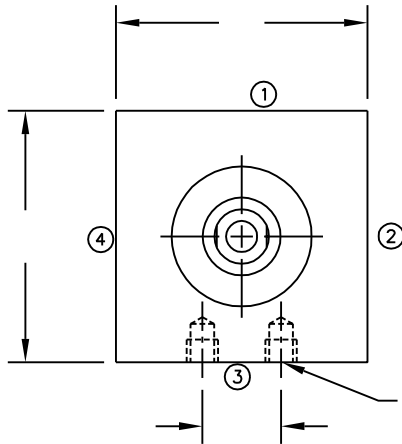
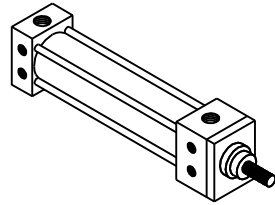
**\*-ADD STROKE TO THESE DIMENSIONS.**

27650 Groesbeck Highway Roseville Michigan 48066-2759 Telephone: 586-775-7211 Fax: 586-775-4545 MEMBER  
Toll Free: 1-800-526-7968 Internet: www.peninsularcylinders.com Email: sales@peninsularcylinders.com NFPA

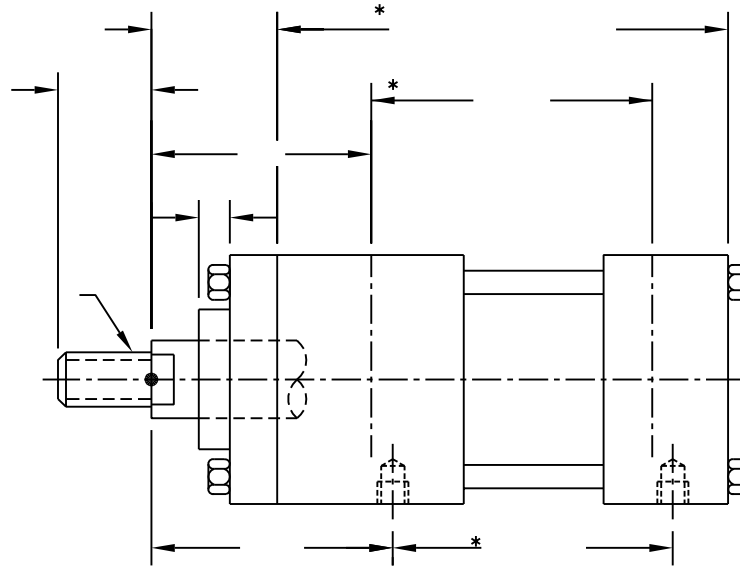


REL. 05-28-03

# SIDE TAPPED MS4



# PENINSULAR CYLINDER SIZING CHART



NFPA CYLINDER  OR METRIC CYLINDER  AIR CYLINDER  LOW PRESSURE HYDRAULIC CYLINDER  HIGH PRESSURE HYDRAULIC CYLINDER

IF HYDRAULIC BOX IS CHECKED, INDICATE WORKING PRESSURE: \_\_\_\_\_

PROXIMITY SWITCH READY CYLINDER END CAPS REQUIRED? YES  NO

ARE THERE TIE RODS ON THIS CYLINDER? YES  NO  BORE SIZE: \_\_\_\_\_ STROKE LENGTH: \_\_\_\_\_

SLEEVE (TUBE) MATERIAL: STEEL  ALUMINUM  FIBERGLASS  OTHER  PISTON ROD. DIAMETER: \_\_\_\_\_

CYLINDER HEADS: STEEL  ALUMINUM  OTHER

PISTON ROD THREADS: MALE  FEMALE  OTHER  / SPECIFY THREAD PITCH (IE: 3/4"-16 x 1.125) \_\_\_\_\_

CUSHIONS: YES  NO  / IF YES:  ROD END ONLY  CAP END ONLY  CUSHION AT BOTH ENDS

IF CUSHIONS ARE REQUIRED INDICATE END CAP SIDE LOCATION OF THE CUSHION ADJUSTMENT SCREW AT ONE OR BOTH ENDS OF CYLINDER ENDS:

INDICATE PORT(S) THREAD SIZE: \_\_\_\_\_ CUSHION ADJUSTMENT SCREW SIDE LOCATION (1, 2, 3 OR 4): \_\_\_\_\_

INDICATE END CAP SIDE LOCATION(S) FOR CYLINDER PORTS: \_\_\_\_\_

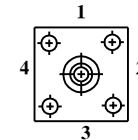
INDICATE EXISTING CYLINDER MANUFACTURER & MODEL NUMBER IF KNOWN: \_\_\_\_\_

IDENTIFY ALL PERTINENT INFORMATION ON EXISTING CYLINDER TAG: \_\_\_\_\_

IF NECESSARY, ATTACH DRAWINGS, SKETCHES OR PHOTOGRAPHS TO PROVIDE ADDITIONAL DETAIL REGARDING YOUR CYLINDER AND/OR APPLICATION

ANY QUESTIONS? CALL PENINSULAR AT 1-800-526-7968 OR (586) 775-7211

**\*-ADD STROKE TO THESE DIMENSIONS.**



-FEATURE LOCATION KEY-  
(VIEWED FACING ROD END.)

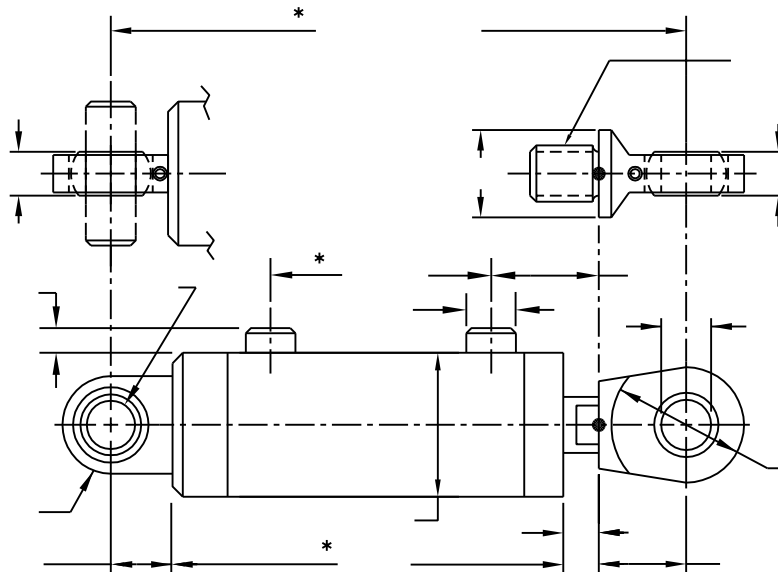
27650 Groesbeck Highway Roseville Michigan 48066-2759 Telephone: 586-775-7211 Fax: 586-775-4545  
Toll Free: 1-800-526-7968 Internet: www.peninsularcylinders.com Email: sales@peninsularcylinders.com



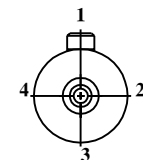
REL. 05-28-03

# WELDED TYPE CYLINDER SPHERICAL EYE

# PENINSULAR CYLINDER SIZING CHART



INCH CYLINDER  OR METRIC CYLINDER  AIR CYLINDER  LOW PRESSURE HYDRAULIC CYLINDER  HIGH PRESSURE HYDRAULIC CYLINDER   
 IF HYDRAULIC BOX IS CHECKED, INDICATE WORKING PRESSURE: \_\_\_\_\_ IS A SPHERICAL ROD EYE REQUIRED? YES  NO  IF YES, PROVIDE DIMENSIONS ABOVE  
 PROXIMITY SWITCH READY CYLINDER YES  NO  IF YES, HOW IS IT AFFIXED TO THE CYLINDER? \_\_\_\_\_  
 ARE THERE TIE RODS ON THIS CYLINDER? YES  NO  BORE SIZE: \_\_\_\_\_ STROKE LENGTH: \_\_\_\_\_  
 SLEEVE (TUBE) MATERIAL: STEEL  ALUMINUM  FIBERGLASS  OTHER  PISTON ROD DIAMETER: \_\_\_\_\_  
 CYLINDER HEADS: STEEL  ALUMINUM  OTHER  CYLINDER HEADS (STYLE): WELDED  THREADED  SNAP RING   
 PISTON ROD THREADS: MALE  FEMALE  OTHER  /SPECIFY THREAD PITCH (IE: 3/4"-16 x 1.125) \_\_\_\_\_  
 CUSHIONS: YES  NO  /IF YES:  ROD END ONLY  CAP END ONLY  CUSHION AT BOTH ENDS   
 IF CUSHIONS ARE REQUIRED INDICATE END CAP SIDE LOCATION OF THE CUSHION ADJUSTMENT SCREW AT ONE OR BOTH ENDS OF CYLINDER ENDS (BELOW):  
 INDICATE PORT(S) THREAD SIZE: \_\_\_\_\_  CUSHION ADJUSTMENT SCREW SIDE LOCATION (1, 2, 3 OR 4): \_\_\_\_\_  
 PORT BOSS(S) REQUIRED?: \_\_\_\_\_ GREASE FITTINGS REQUIRED?: \_\_\_\_\_  
 INDICATE END CAP SIDE LOCATION(S) FOR CYLINDER PORTS: \_\_\_\_\_  
 INDICATE EXISTING CYLINDER MANUFACTURER & MODEL NUMBER IF KNOWN: \_\_\_\_\_  
 IDENTIFY ALL PERTINENT INFORMATION ON EXISTING CYLINDER TAG: \_\_\_\_\_



-FEATURE LOCATION KEY-  
(VIEWED FACING ROD END.)

IF NECESSARY, ATTACH DRAWINGS, SKETCHES OR PHOTOGRAPHS TO PROVIDE ADDITIONAL DETAIL REGARDING YOUR CYLINDER AND/OR APPLICATION  
 ANY QUESTIONS? CALL PENINSULAR AT 1-800-526-7968 OR (586) 775-7211

**\*-ADD STROKE TO THESE DIMENSIONS.**

27650 Groesbeck Highway Roseville Michigan 48066-2759 Telephone: 586-775-7211 Fax: 586-775-4545  
 Toll Free: 1-800-526-7968 Internet: www.peninsularcylinders.com Email: sales@peninsularcylinders.com

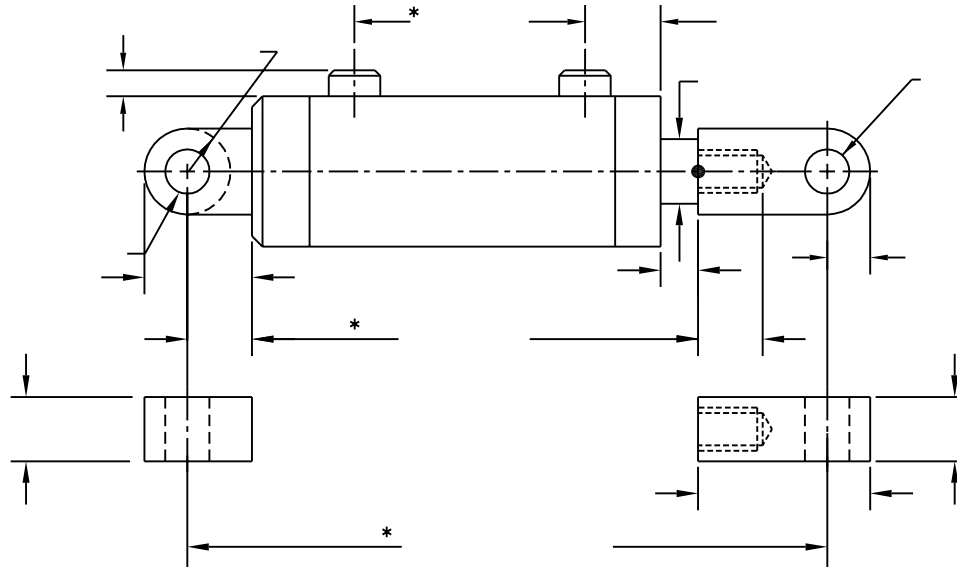
MEMBER  
NFPA



REL. 05-28-03

# WELDED TYPE CYLINDER MALE EYE

# PENINSULAR CYLINDER SIZING CHART



INCH CYLINDER  - OR - METRIC CYLINDER  AIR CYLINDER  LOW PRESSURE HYDRAULIC CYLINDER  HIGH PRESSURE HYDRAULIC CYLINDER

IF HYDRAULIC BOX IS CHECKED, INDICATE WORKING PRESSURE: \_\_\_\_\_ IS A ROD EYE REQUIRED? YES  NO  IF YES, PROVIDE DIMENSIONS ABOVE

PROXIMITY SWITCH READY CYLINDER YES  NO  IF YES, HOW IS IT AFFIXED TO THE CYLINDER? \_\_\_\_\_

ARE THERE TIE RODS ON THIS CYLINDER? YES  NO  BORE SIZE: \_\_\_\_\_ STROKE LENGTH: \_\_\_\_\_

SLEEVE (TUBE) MATERIAL: STEEL  ALUMINUM  FIBERGLASS  OTHER  PISTON ROD DIAMETER: \_\_\_\_\_

CYLINDER HEADS: STEEL  ALUMINUM  OTHER  CYLINDER HEADS (STYLE): WELDED  THREADED  SNAP RING

PISTON ROD THREADS: MALE  FEMALE  OTHER  / SPECIFY THREAD PITCH (IE: 3/4"-16 x 1.125) \_\_\_\_\_

CUSHIONS: YES  NO  / IF YES:  ROD END ONLY  CAP END ONLY  CUSHION AT BOTH ENDS

IF CUSHIONS ARE REQUIRED INDICATE END CAP SIDE LOCATION OF THE CUSHION ADJUSTMENT SCREW AT ONE OR BOTH ENDS OF CYLINDER ENDS:

INDICATE PORT(S) THREAD SIZE: \_\_\_\_\_ CUSHION ADJUSTMENT SCREW SIDE LOCATION (1, 2, 3 OR 4): \_\_\_\_\_

INDICATE END CAP SIDE LOCATION(S) FOR CYLINDER PORTS: \_\_\_\_\_ GREASE FITTINGS REQUIRED?: \_\_\_\_\_

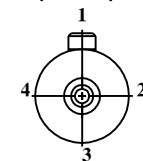
INDICATE EXISTING CYLINDER MANUFACTURER & MODEL NUMBER IF KNOWN: \_\_\_\_\_

IDENTIFY ALL PERTINENT INFORMATION ON EXISTING CYLINDER TAG: \_\_\_\_\_

IF NECESSARY, ATTACH DRAWINGS, SKETCHES OR PHOTOGRAPHS TO PROVIDE ADDITIONAL DETAIL REGARDING YOUR CYLINDER AND/OR APPLICATION

ANY QUESTIONS? CALL PENINSULAR AT 1-800-526-7968 OR (586) 775-7211

**\*-ADD STROKE TO THESE DIMENSIONS.**



-FEATURE LOCATION KEY-  
(VIEWED FACING ROD END.)

27650 Groesbeck Highway Roseville Michigan 48066-2759 Telephone: 586-775-7211 Fax: 586-775-4545  
Toll Free: 1-800-526-7968 Internet: www.peninsularcylinders.com Email: sales@peninsularcylinders.com

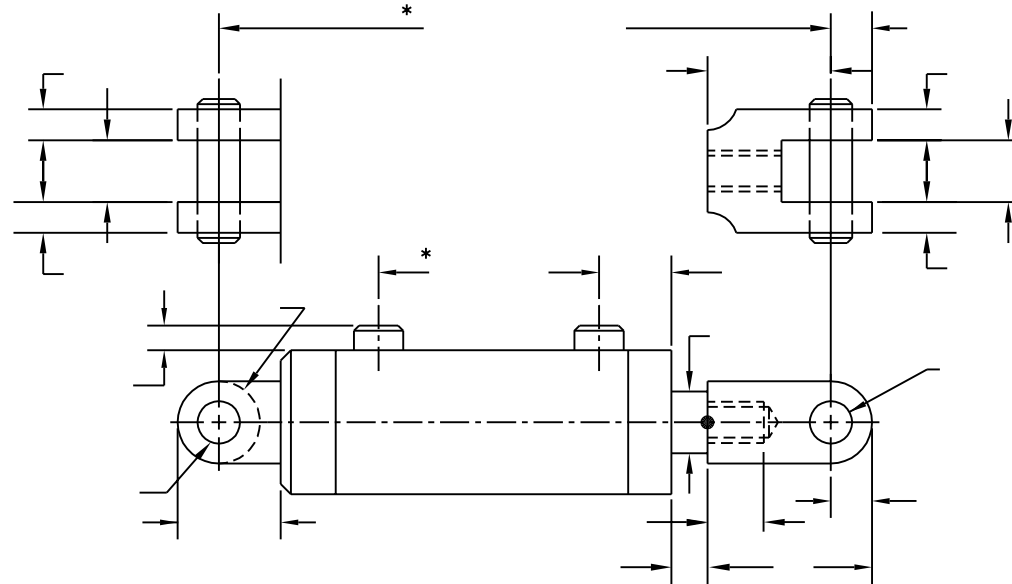
MEMBER  
NFPA



REL. 05-28-03

# WELDED TYPE CYLINDER FEMALE CLEVIS

# PENINSULAR CYLINDER SIZING CHART



INCH CYLINDER  OR METRIC CYLINDER  AIR CYLINDER  LOW PRESSURE HYDRAULIC CYLINDER  HIGH PRESSURE HYDRAULIC CYLINDER

IF HYDRAULIC BOX IS CHECKED, INDICATE WORKING PRESSURE: \_\_\_\_\_ IS A ROD CLEVIS REQUIRED? YES  NO  IF YES, PROVIDE DIMENSIONS ABOVE

PROXIMITY SWITCH READY CYLINDER YES  NO  IF YES, HOW IS IT AFFIXED TO THE CYLINDER? \_\_\_\_\_

ARE THERE TIE RODS ON THIS CYLINDER? YES  NO  BORE SIZE: \_\_\_\_\_ STROKE LENGTH: \_\_\_\_\_

SLEEVE (TUBE) MATERIAL: STEEL  ALUMINUM  FIBERGLASS  OTHER  PISTON ROD DIAMETER: \_\_\_\_\_

CYLINDER HEADS: STEEL  ALUMINUM  OTHER  CYLINDER HEADS (STYLE): WELDED  THREADED  SNAP RING

PISTON ROD THREADS: MALE  FEMALE  OTHER  / SPECIFY THREAD PITCH (IE: 3/4"-16 x 1.125) \_\_\_\_\_

CUSHIONS: YES  NO  / IF YES:  ROD END ONLY  CAP END ONLY  CUSHION AT BOTH ENDS

IF CUSHIONS ARE REQUIRED INDICATE END CAP SIDE LOCATION OF THE CUSHION ADJUSTMENT SCREW AT ONE OR BOTH ENDS OF CYLINDER ENDS:

INDICATE PORT(S) THREAD SIZE: \_\_\_\_\_ CUSHION ADJUSTMENT SCREW SIDE LOCATION (1, 2, 3 OR 4): \_\_\_\_\_

INDICATE END CAP SIDE LOCATION(S) FOR CYLINDER PORTS: \_\_\_\_\_ GREASE FITTINGS REQUIRED?: \_\_\_\_\_

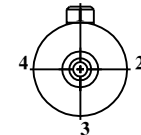
INDICATE EXISTING CYLINDER MANUFACTURER & MODEL NUMBER IF KNOWN: \_\_\_\_\_

IDENTIFY ALL PERTINENT INFORMATION ON EXISTING CYLINDER TAG: \_\_\_\_\_

IF NECESSARY, ATTACH DRAWINGS, SKETCHES OR PHOTOGRAPHS TO PROVIDE ADDITIONAL DETAIL REGARDING YOUR CYLINDER AND/OR APPLICATION

ANY QUESTIONS? CALL PENINSULAR AT 1-800-526-7968 OR (586) 775-7211

\*-ADD STROKE TO THESE DIMENSIONS.



-FEATURE LOCATION KEY-  
(VIEWED FACING ROD END.)

27650 Groesbeck Highway Roseville Michigan 48066-2759 Telephone: 586-775-7211 Fax: 586-775-4545  
Toll Free: 1-800-526-7968 Internet: www.peninsularcylinders.com Email: sales@peninsularcylinders.com

MEMBER  
NFPA



REL. 05-28-03

